

# Victorian Mailboxes

## VICTORIAN MAILBOXES

Made of die cast aluminum, Salsbury Victorian mailboxes (#4460) are available in four (4) contemporary colors and include a 10-3/4" W x 2-1/4" H mail flap with the word "LETTERS" cast into it. The brass mail flap features an adjustable stop that can limit the size of the mail flap opening. Surface mounted Victorian mailboxes include a front access 10-3/4" W x 6" H door and a lock with two (2) keys. A gold finish non-locking thumb latch (#4488) is available as an option upon request. Surface mounted Victorian mailboxes may be used for U.S.P.S. residential door mail delivery.

**Volume Discount Pricing Available at Mailboxes.com!**

**Locking Mailboxes**



#4460 with optional thumb latch (#4488) displayed



4460

### DESCRIPTION

4460<sup>1</sup> Victorian Mailbox - Surface Mounted

### UNIT SIZE

15-3/4" W x 20" H" x 5-3/4" D

### Mail flap:

10-3/4" W x 2-1/4" H

### WEIGHT

15 lbs.

### PRICE

\$150.00



<sup>1</sup> Specify



black



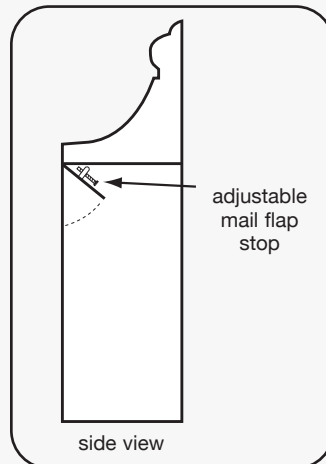
beige



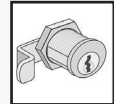
green



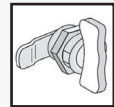
white



Lock - standard replacement - with (2) keys (#4490 - \$15.00)



Thumb latch - gold finish - optional (#4488 - \$15.00)



COMMERCIAL MAILBOXES

RESIDENTIAL MAILBOXES & POSTS

CELL PHONE LOCKERS