

Vertical Mailboxes

VERTICAL MAILBOXES

FRONT LOADING **USPS** or **PRIVATE ACCESS**

Made entirely of aluminum, Salsbury 3500 series U.S.P.S. approved vertical mailboxes are available in surface mounted and recessed mounted units. The mailboxes feature 5-1/2" W x 16-1/4" H extruded aluminum doors and a durable powder coated finish available in three (3) contemporary colors. Each mailbox door includes a five (5) pin cylinder cam lock with two (2) keys and a 2-1/2" W x 5/8" H indentation to accommodate a label (included) to identify the tenant's name and/or box number. Custom identification systems are available as an option upon request. Mailboxes are available in units with three (3) to seven (7) compartments. Each compartment is 6-3/4" deep. Vertical mailboxes are ideal for apartments, condominiums, commercial buildings and many other applications.

Volume Discount Pricing Available at Mailboxes.com!



#3507 recessed units with optional custom engraved placards (#3567) displayed

Updated Pricing August 2021

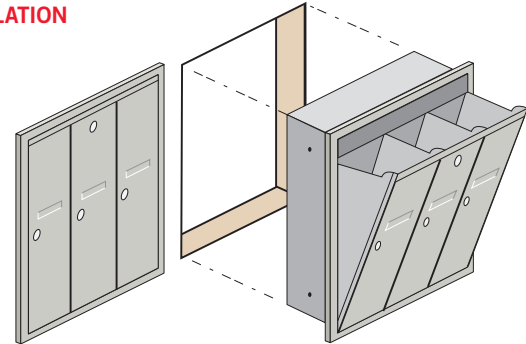
4B+

Note: Salsbury 3500 series 4B+ vertical mailboxes have been U.S.P.S. approved to the required security upgrades of USPS-STD-4B+. These mailboxes are approved for replacement and/or retrofit installations. For new construction and major renovations, see 4C horizontal mailboxes on pages 16-31.

SAMPLE INSTALLATION

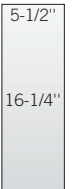
Model displayed:
(2) 3503's

Recessed mounted units fit into a rough opening and are secured with mounting hardware through the back or side panels. Recessed units feature a fully integrated flanged collar which fits over the rough opening.



Note: For U.S.P.S. accessed vertical mailboxes, the master lock in the top tier of mailboxes must be no more than 58" above the finished floor. The master lock in the bottom tier of mailboxes must be no less than 30" above the finished floor. No more than two (2) tiers of mailboxes may be installed.

3500 SERIES DOOR SIZE



3551¹
Replacement door and lock \$55.00

Note: Rough opening for recessed mounted vertical mailboxes is 1-1/2" less than the unit's width, 1-1/4" less than the unit's height and equal to the unit's depth.

Note: Rough opening for recessed letter boxes (#2245) is 13-3/4" W x 17-3/4" H x 6-3/4" D.

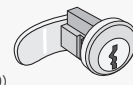
VERTICAL MAILBOX OPTIONS

OPTIONS

- Outgoing mail slot - in the far left door of the unit unless otherwise specified (#3569 - \$10.00)
- 4B+ Master door security retrofit kit (#3596 - \$55.00)

LOCKS

- Each mailbox door includes a five (5) pin cylinder cam lock with (2) keys (1,000 different key changes). (#3590-5 - set of (5) #3590 locks - \$85.00)
- Additional keys per lock when ordering (#3598 - \$5.00)
- Key blanks - box of (50) (#3599 - \$60.00)



#3590 Lock for 3500 series



#3598 Additional keys for #3590 \$5.00 per key

KEY KEEPERS

Made of 20 gauge steel, Salsbury key keepers are available as surface mounted or recessed mounted units and feature a durable powder coated finish. A key keeper allows the U.S.P.S. or other individuals to access a key and deliver the mail and is useful when restricted access to a building or mailroom is required.

1080^{1,2} - Key Keeper - surface mounted

- 6" W x 3-1/4" H x 2" D
- 2 lbs.
- \$50.00



1080

1090^{1,2} - Key Keeper - recessed mounted

- 6" W x 3-1/4" H x 2" D
- rough opening:
5" W x 2-1/2" H x 1-3/4" D
- 2 lbs.
- \$50.00



1090

- ¹ Specify
 - aluminum
 - bronze² Specify
 - For U.S.P.S. access
 - For private access (order commercial lock #1095 - \$30.00)



3503



3504



3505



3506



3507

VERTICAL MAILBOXES - FRONT LOADING - U.S.P.S. APPROVED

MODEL	DESCRIPTION	UNIT SIZE	WEIGHT	PRICE
3503 ^{1,2,3}	3 Doors	18-3/4" W x 19" H x 7-1/2" D	25 lbs.	\$300.00
3504 ^{1,2,3}	4 Doors	24-1/4" W x 19" H x 7-1/2" D	30 lbs.	\$400.00
3505 ^{1,2,3}	5 Doors	29-3/4" W x 19" H x 7-1/2" D	35 lbs.	\$500.00
3506 ^{1,2,3}	6 Doors	35-1/4" W x 19" H x 7-1/2" D	40 lbs.	\$600.00
3507 ^{1,2,3}	7 Doors	40-3/4" W x 19" H x 7-1/2" D	45 lbs.	\$700.00
3575	Master commercial lock - factory installed if for private access - with (2) keys			\$30.00
3590-5	Set of (5) #3590 locks - standard replacement for 3500 series doors - with (2) keys			\$85.00
3599	Key blanks - for standard 3500 series locks - box of (50)			\$60.00
2240 ^{1,4}	Letter Box - surface mounted	15" W x 19" H x 7-1/2" D	20 lbs.	\$300.00
2245 ^{1,4}	Letter Box - recessed mounted	15" W x 19" H x 6-3/4" D	20 lbs.	\$300.00
2246	Master commercial lock - factory installed if for private access - with (2) keys			\$30.00

LETTER BOXES USPS or PRIVATE ACCESS

A letter box is an ideal way to collect outgoing mail or other correspondence. See pages 46-47 for additional products and specifications. \$300.00

CUSTOM ENGRAVING (OPTION - #2266)

Custom engraving for letter boxes (specify regular or black filled) is available as an option upon request. See page 47 for specifications. \$20.00

OUTGOING MAIL SLOT (OPTION - #3569)

A 4-3/8" W x 1/2" H outgoing mail slot is available as an option upon request. It will be located in the far left door of the unit unless otherwise specified. If a mail slot is requested, order unit with one additional compartment than the total number of tenants receiving mail. \$10.00

CUSTOM ENGRAVED PLACARDS (OPTION - #3567)

2-1/2" W x 5/8" H custom engraved self-adhesive placards are available as an option upon request. \$3.00



2240

- ¹ Specify aluminum bronze sandstone

- ² Specify - surface mounted or recessed mounted
- ³ Specify - U.S.P.S. access or private access (order master commercial lock #3575)
- ⁴ Specify - U.S.P.S. access or private access (order master commercial lock #2246)