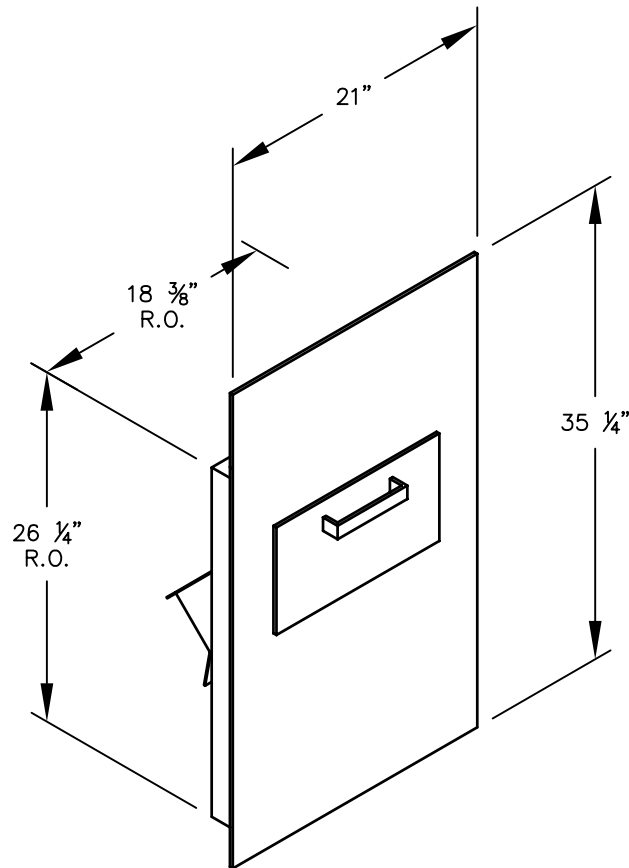
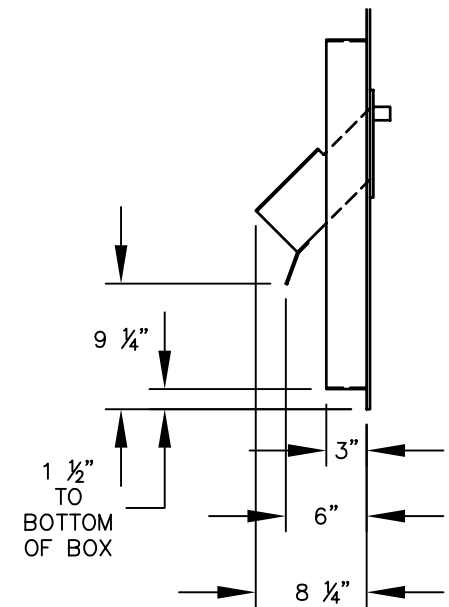


3600C6-RL  
 6 DOOR HIGH COLLECTION  
 UNIT FOR REAR LOADING  
 MAILBOX INSTALLATION



SIDE VIEW



**MODEL #3600C6 – RL**  
 6 DOOR HIGH COLLECTION UNIT

AVAILABLE COLORS:  
 ALUMINUM, BRONZE, SANDSTONE

AVAILABLE FOR:  
 USPS ACCESS OR PRIVATE ACCESS

DRAWN: 8/2020

ON REAR ACCESS COLLECTION UNITS, CUSTOMER TO SUPPLY MAIL RECEPTACLE.

***Established in 1936, Salsbury Industries is the industry leader in manufacturing and distributing quality mailboxes.***

18300 CENTRAL AVENUE  
 CARSON, CA 90746-4008

PHONE: (800) 624-5269

FAX: (800) 624-5299

email: [engineering@mailboxes.com](mailto:engineering@mailboxes.com)