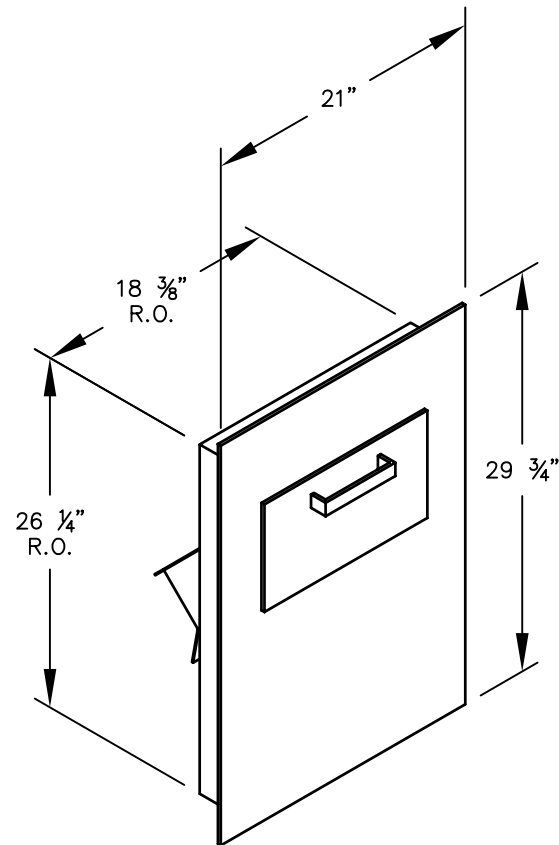
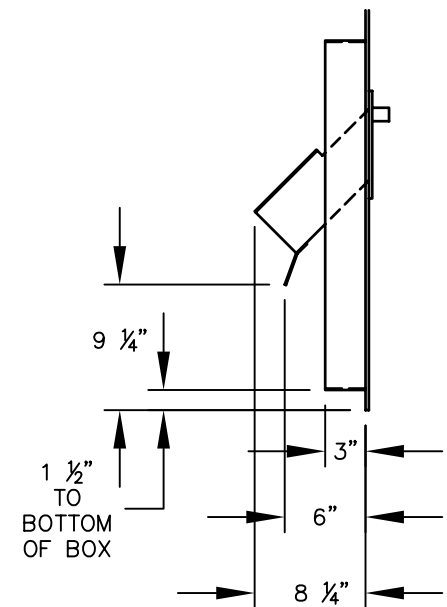


3600C5-RL
 5 DOOR HIGH COLLECTION
 UNIT FOR REAR LOADING
 MAILBOX INSTALLATION



SIDE VIEW



MODEL #3600C5 – RL

5 DOOR HIGH COLLECTION UNIT

AVAILABLE COLORS:
 ALUMINUM, BRONZE, SANDSTONE

AVAILABLE FOR:
 USPS ACCESS OR PRIVATE ACCESS

DRAWN: 8/2020

ON REAR ACCESS COLLECTION UNITS, CUSTOMER TO SUPPLY MAIL RECEPTACLE.

Established in 1936, Salsbury Industries is the industry leader in manufacturing and distributing quality mailboxes.

18300 CENTRAL AVENUE
 CARSON, CA 90746-4008

PHONE: (800) 624-5269
 FAX: (800) 624-5299

email: engineering@mailboxes.com