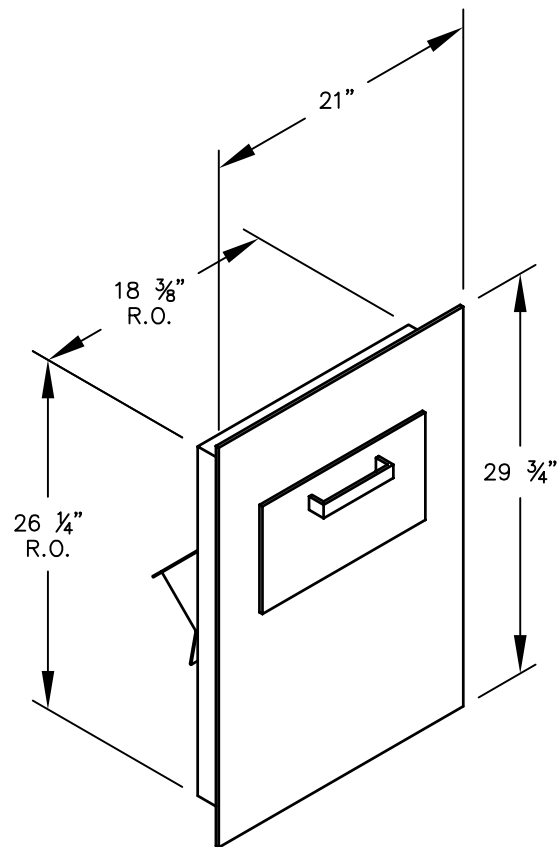
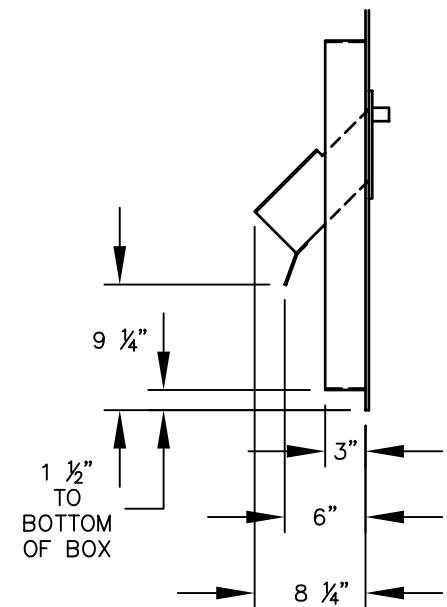


3600C5-RL
 5 DOOR HIGH COLLECTION
 UNIT FOR REAR LOADING
 MAILBOX INSTALLATION



SIDE VIEW



ON REAR ACCESS COLLECTION UNITS, CUSTOMER TO SUPPLY MAIL RECEPACLE.

MODEL #3600C5-RL
 5 DOOR HIGH COLLECTION UNIT

AVAILABLE FOR:
 USPS ACCESS OR PRIVATE ACCESS

Established in 1936, Salsbury Industries is the industry leader in manufacturing and distributing quality mailboxes.

1010 E. 62ND STREET
 LOS ANGELES, CA 90001
 PHONE: (800) 624-5269
 FAX: (800) 624-5299
 email: engineering@mailboxes.com