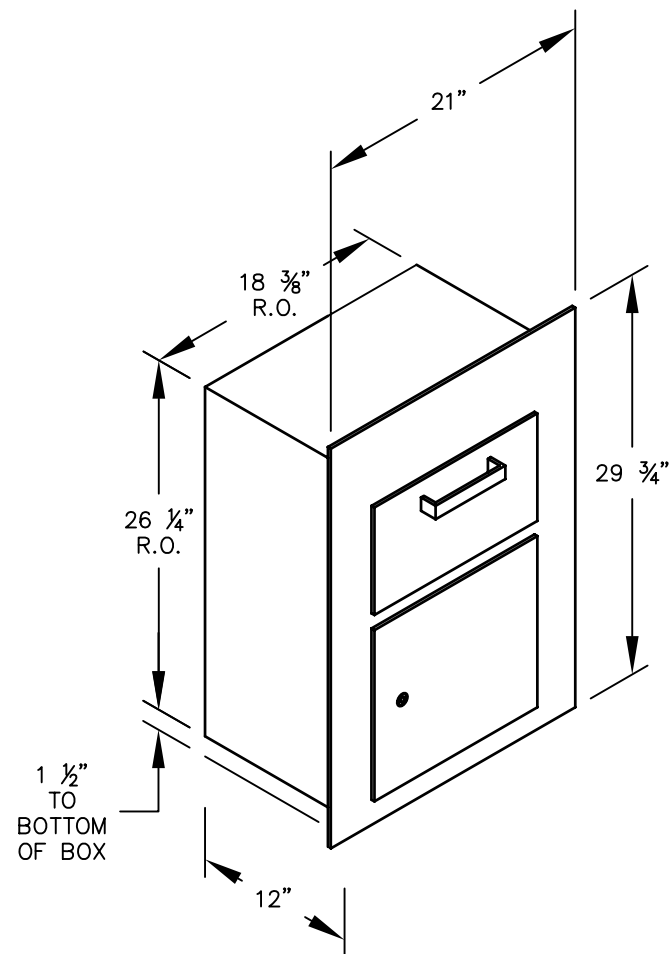


3600C5-FL
5 DOOR HIGH COLLECTION
UNIT FOR FRONT LOADING
MAILBOX INSTALLATION



MODEL #3600C5 – FL
5 DOOR HIGH COLLECTION UNIT

AVAILABLE COLORS:
ALUMINUM, BRONZE, SANDSTONE

AVAILABLE FOR:
USPS ACCESS OR PRIVATE ACCESS

DRAWN: 8/2020

Established in 1936, Salsbury Industries is the industry leader in manufacturing and distributing quality mailboxes.

18300 CENTRAL AVENUE
CARSON, CA 90746-4008

PHONE: (800) 624-5269
FAX: (800) 624-5299

email: engineering@mailboxes.com