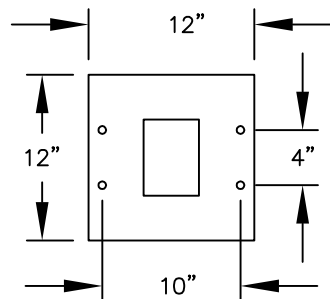
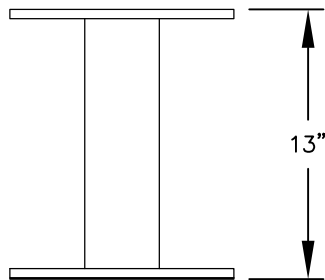
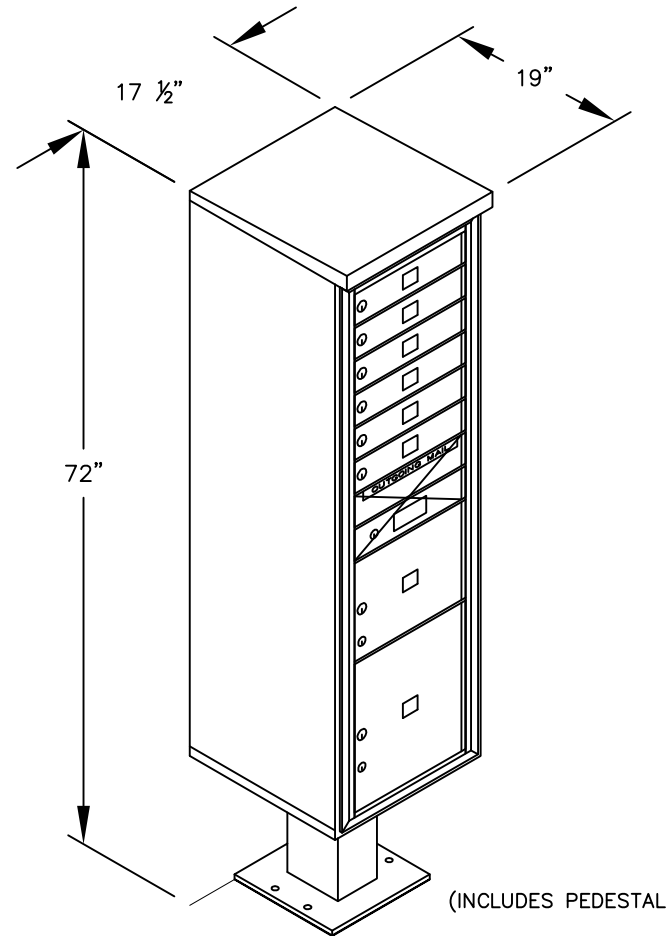


PEDESTAL



PEDESTAL BASE  
BOLT PATTERN



MODEL #3416S-06

- (6) 'MB1' DOORS
- (1) 'OM2' OUTGOING MAIL COMPARTMENT
- (1) PL3 PARCEL LOCKER (10 1/4" H)
- (1) PL4.5 PARCEL LOCKER (15 1/2" H)

MODEL #3416S-06

4C PEDESTAL MAILBOX

AVAILABLE COLORS:  
SANDSTONE, BRONZE,  
BLACK OR GRAY

DRAWN: 3/2020

***Established in 1936, Salsbury Industries is the industry leader in manufacturing and distributing quality mailboxes.***

18300 CENTRAL AVENUE  
CARSON, CA 90746-4008  
PHONE: (800) 624-5269  
FAX: (800) 624-5299  
email: [engineering@mailboxes.com](mailto:engineering@mailboxes.com)