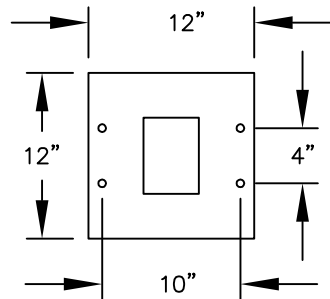
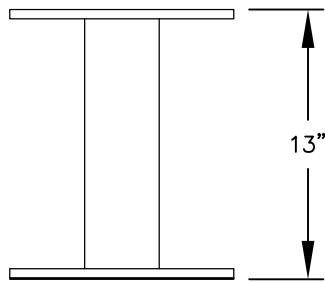
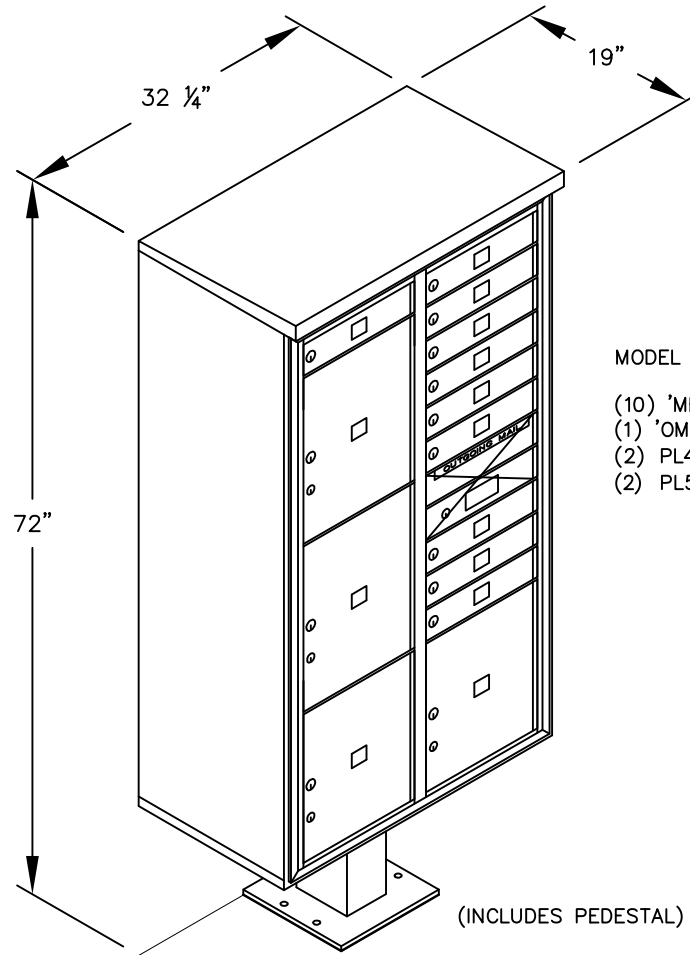


PEDESTAL



PEDESTAL BASE
BOLT PATTERN



MODEL #3416D-10

- (10) 'MB1' DOORS
- (1) 'OM2' OUTGOING MAIL COMPARTMENT
- (2) PL4.5 PARCEL LOCKERS (15 1/2" H)
- (2) PL5 PARCEL LOCKERS (17 1/4" H)

MODEL #3416D-10

4C PEDESTAL MAILBOX

AVAILABLE COLORS:
SANDSTONE, BRONZE,
BLACK OR GRAY

DRAWN: 3/2020

Established in 1936, Salsbury Industries is the industry leader in manufacturing and distributing quality mailboxes.

18300 CENTRAL AVENUE
CARSON, CA 90746-4008
PHONE: (800) 624-5269
FAX: (800) 624-5299
email: engineering@mailboxes.com