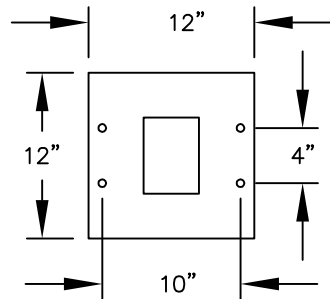
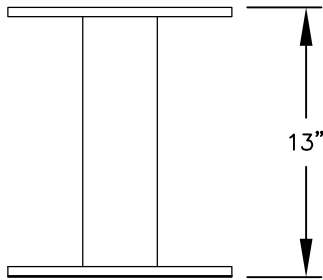
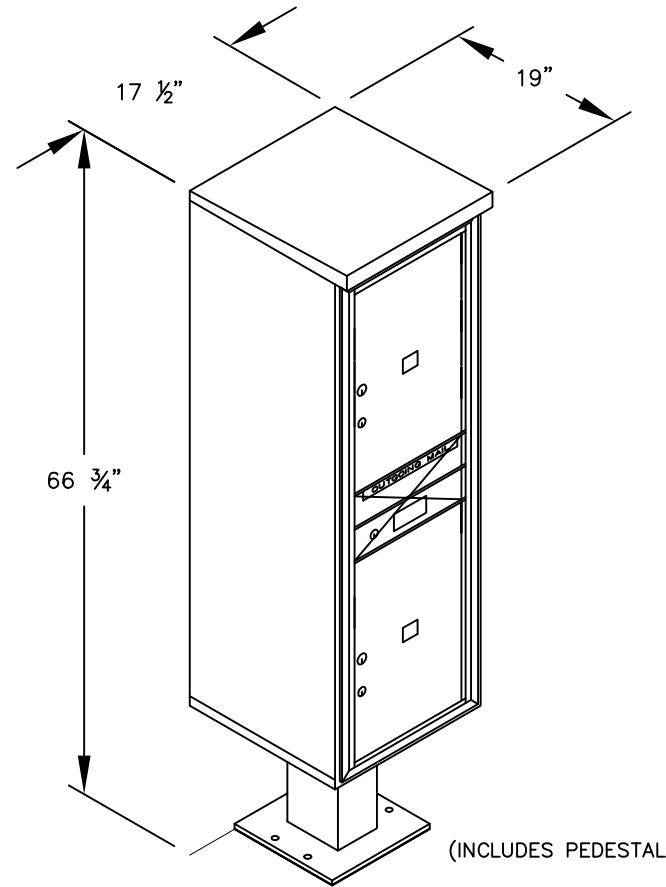


PEDESTAL



PEDESTAL BASE  
BOLT PATTERN



MODEL #3414S-2P

- (1) 'OM2' OUTGOING MAIL COMPARTMENT
- (2) 'PL6' PARCEL LOCKERS

MODEL #3414S-2P

4C PEDESTAL MAILBOX

AVAILABLE COLORS:  
SANDSTONE, BRONZE, GREEN,  
BLACK, WHITE OR GRAY

DRAWN: 01/13

***Established in 1936, Salsbury Industries is the industry leader in manufacturing and distributing quality mailboxes.***

1010 E. 62ND STREET  
LOS ANGELES, CA 90001  
PHONE: (800) 624-5269  
FAX: (800) 624-5299  
email: [engineering@mailboxes.com](mailto:engineering@mailboxes.com)