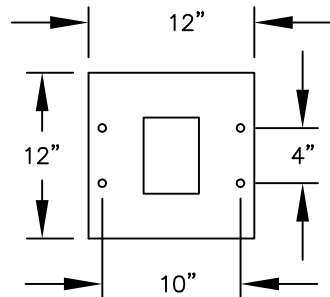
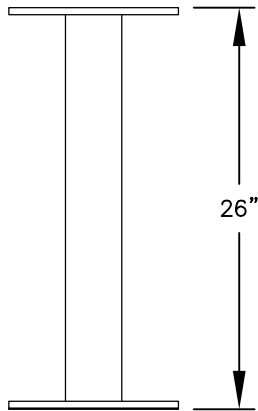
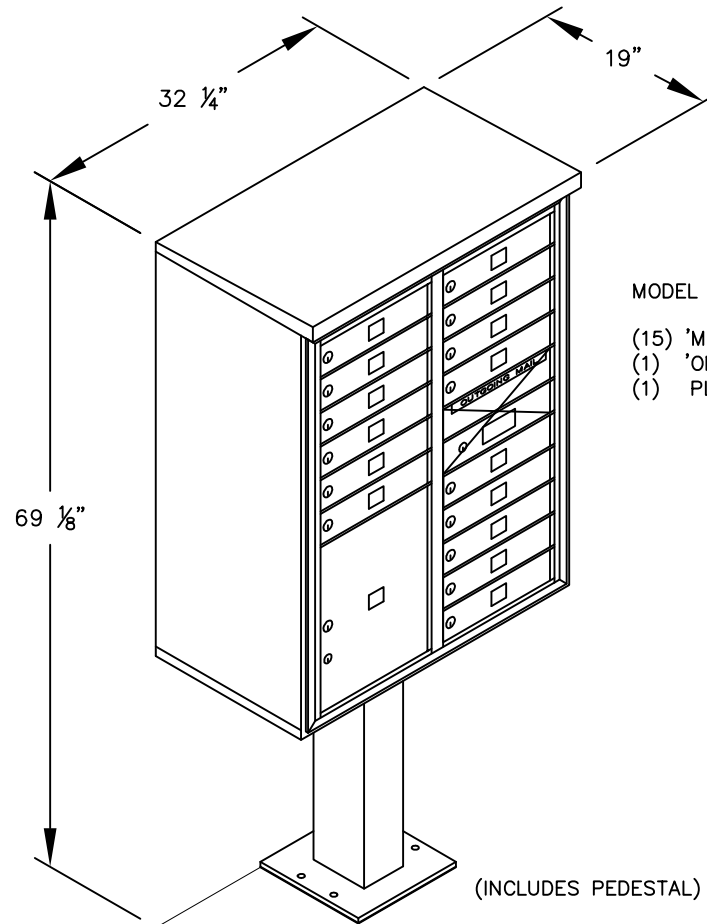


PEDESTAL



PEDESTAL BASE  
BOLT PATTERN



MODEL #3411D-15

- (15) 'MB1' DOORS
- (1) 'OM2' OUTGOING MAIL COMPARTMENT
- (1) PL5 PARCEL LOCKER (17 1/4" H)

MODEL #3411D-15

4C PEDESTAL MAILBOX

AVAILABLE COLORS:  
SANDSTONE, BRONZE,  
BLACK OR GRAY

DRAWN: 3/2020

***Established in 1936, Salsbury Industries is the industry leader in manufacturing and distributing quality mailboxes.***

18300 CENTRAL AVENUE  
CARSON, CA 90746-4008  
PHONE: (800) 624-5269  
FAX: (800) 624-5299  
email: [engineering@mailboxes.com](mailto:engineering@mailboxes.com)