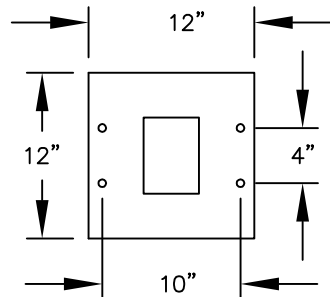
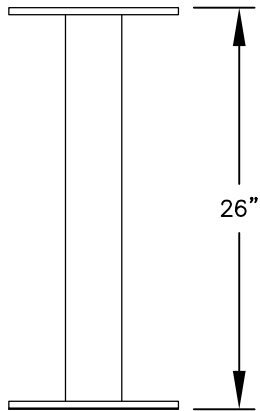
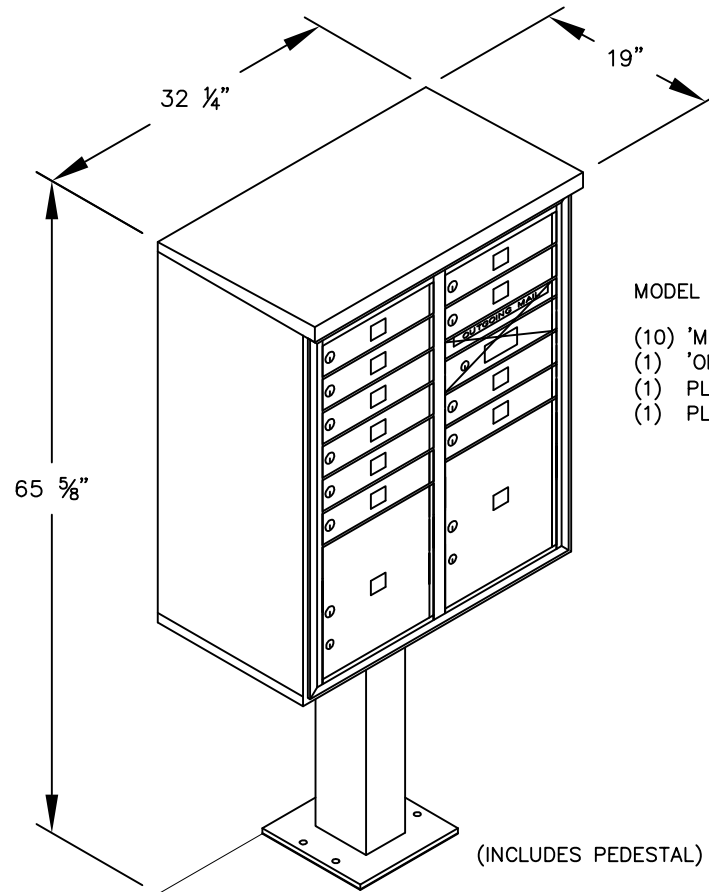


PEDESTAL



PEDESTAL BASE  
BOLT PATTERN



MODEL #3410DA-10

- (10) 'MB1' DOORS
- (1) 'OM1.5' OUTGOING MAIL COMPARTMENT
- (1) PL4 PARCEL LOCKER (13 3/4" H)
- (1) PL4.5 PARCEL LOCKER (15 1/2" H)

MODEL #3410DA-10

4C PEDESTAL MAILBOX

AVAILABLE COLORS:  
SANDSTONE, BRONZE, GREEN,  
BLACK, WHITE OR GRAY

DRAWN: 11/16

***Established in 1936, Salsbury Industries is the industry leader in manufacturing and distributing quality mailboxes.***

1010 E. 62ND STREET  
LOS ANGELES, CA 90001  
PHONE: (800) 624-5269  
FAX: (800) 624-5299  
email: [engineering@mailboxes.com](mailto:engineering@mailboxes.com)