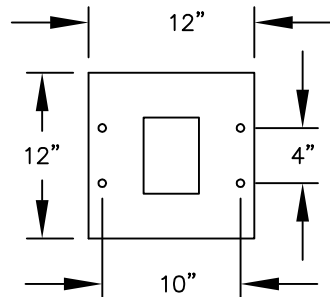
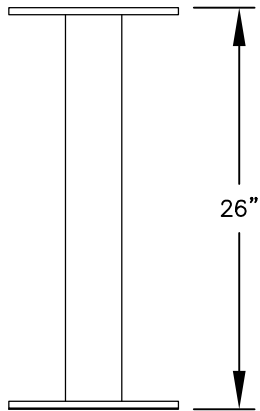
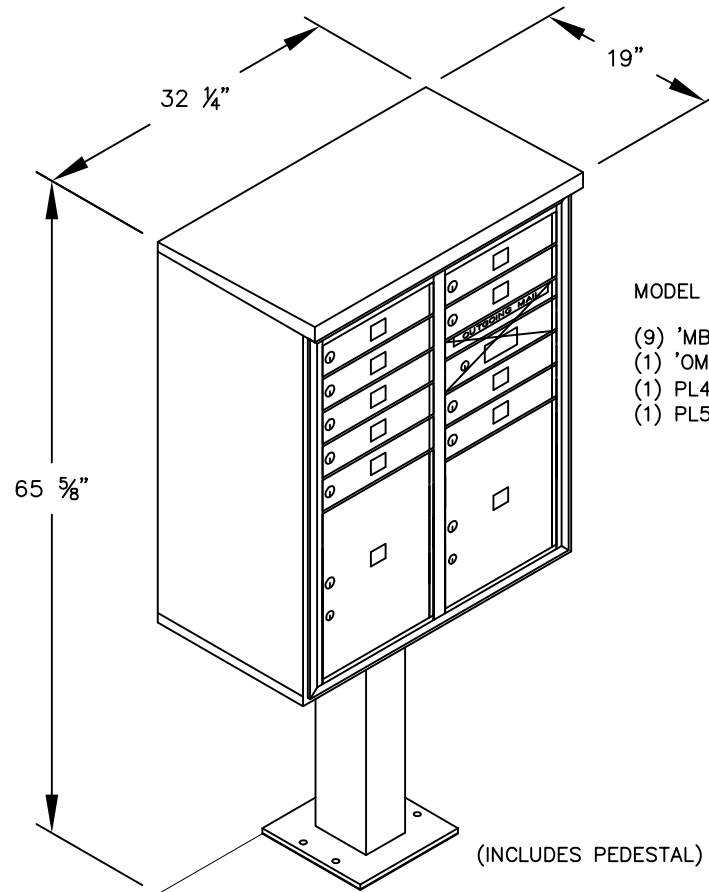


PEDESTAL



PEDESTAL BASE
BOLT PATTERN



MODEL #3410DA-09

- (9) 'MB1' DOORS
- (1) 'OM1.5' OUTGOING MAIL COMPARTMENT
- (1) PL4.5 PARCEL LOCKER (15 1/2" H)
- (1) PL5 PARCEL LOCKER (17 1/4" H)

MODEL #3410DA-09

4C PEDESTAL MAILBOX

AVAILABLE COLORS:
SANDSTONE, BRONZE, GREEN,
BLACK, WHITE OR GRAY

DRAWN: 11/16

Established in 1936, Salsbury Industries is the industry leader in manufacturing and distributing quality mailboxes.

1010 E. 62ND STREET
LOS ANGELES, CA 90001
PHONE: (800) 624-5269
FAX: (800) 624-5299
email: engineering@mailboxes.com