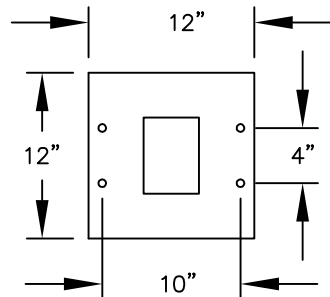
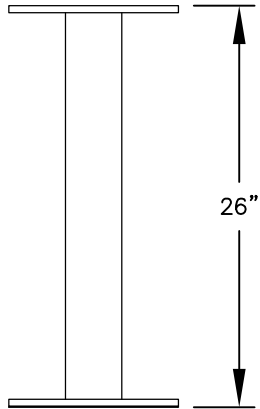
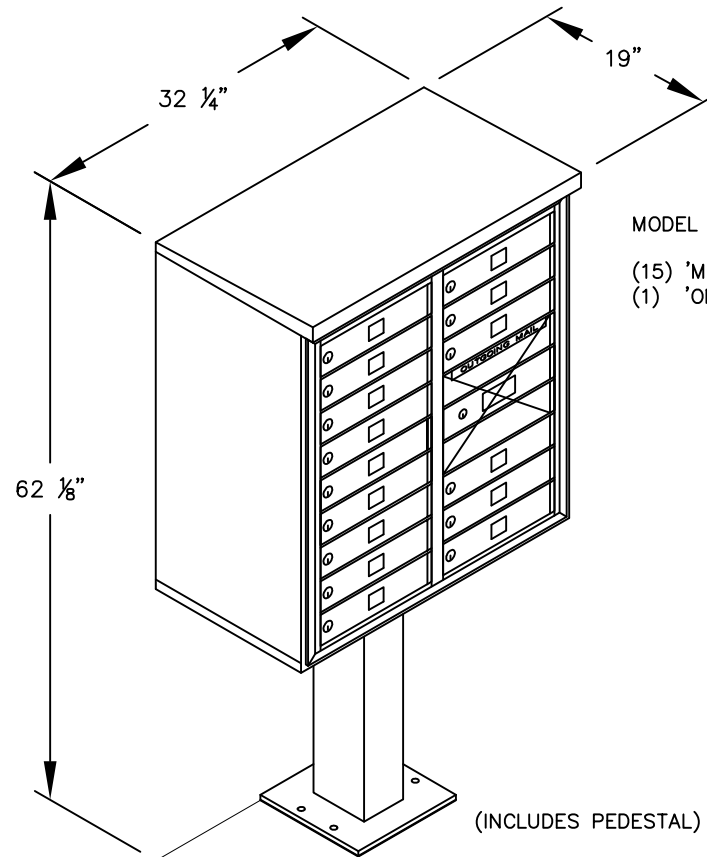


PEDESTAL



PEDESTAL BASE
BOLT PATTERN



MODEL #3409D-15

(15) 'MB1' DOORS

(1) 'OM3' OUTGOING MAIL COMPARTMENT

(INCLUDES PEDESTAL)

MODEL #3409D-15

4C PEDESTAL MAILBOX

AVAILABLE COLORS:
SANDSTONE, BRONZE, GREEN,
BLACK, WHITE OR GRAY

DRAWN: 01/16

Established in 1936, Salsbury Industries is the industry leader in manufacturing and distributing quality mailboxes.

1010 E. 62ND STREET
LOS ANGELES, CA 90001
PHONE: (800) 624-5269
FAX: (800) 624-5299
email: engineering@mailboxes.com