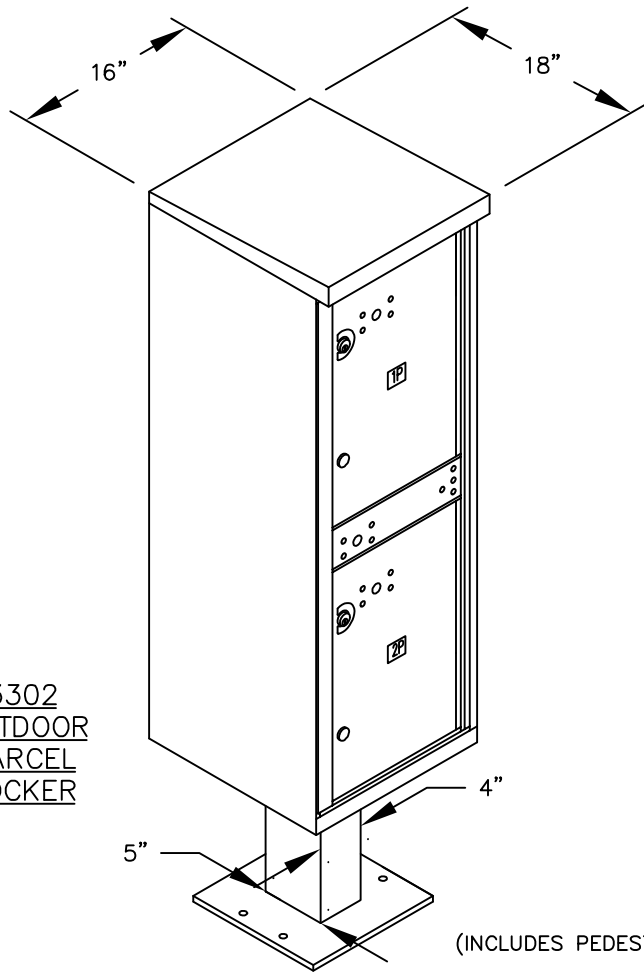
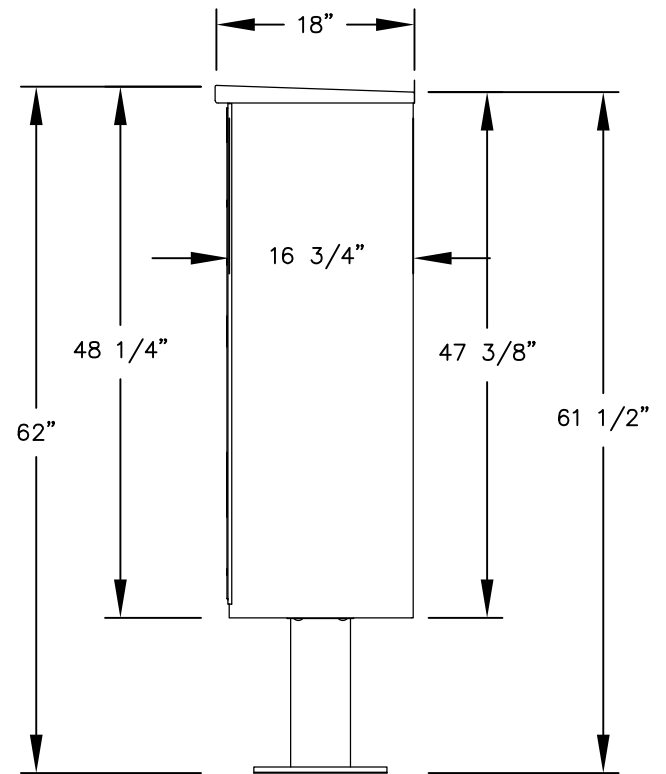


PEDESTAL BASE
BOLT PATTERN



(INCLUDES PEDESTAL)



MODEL #3302
OUTDOOR PARCEL LOCKER

AVAILABLE COLORS:
SANDSTONE, BRONZE, GREEN, BLACK, WHITE
OR GRAY (FOR REPLACEMENT UNITS)

DRAWN: 10/10

Established in 1936, Salsbury Industries is the industry leader in manufacturing and distributing quality mailboxes.

1010 E. 62ND STREET
LOS ANGELES, CA 90001
PHONE: (800) 624-5269
FAX: (800) 624-5299
email: engineering@mailboxes.com