

Mail Drops / Receptacles

MAIL DROPS PRIVATE ACCESS

Constructed of 1/4" thick aluminum plate and 20 gauge steel, Salsbury recessed mounted mail drops feature a spring-loaded mail flap and an adjustable mail flap stop. Mail drops also feature a durable powder coated finish available in five (5) contemporary colors. Custom engraving (#2266) is available as an option upon request. An optional receptacle (#2256 - see page 57 - order separately) aligns with the mail drop chute for receipt of deliveries. Mail drops are ideal for collecting documents and small packages and may be used for U.S.P.S. residential door mail delivery.


Volume Discount Pricing Available at Mailboxes.com!



#2255 in aluminum finish with optional custom engraving - black filled (#2266) displayed



#2255 with optional custom engraving - regular (#2266) displayed



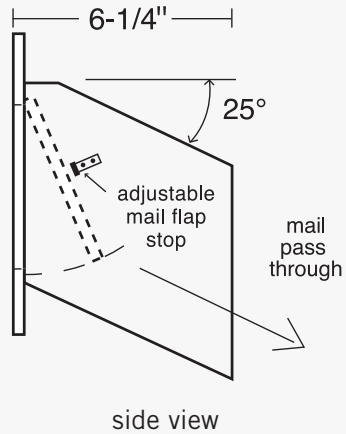
#2255 with optional custom engraving - black filled (#2266) displayed

CUSTOM ENGRAVING (OPTION - #2266)
Custom engraving (specify regular or black filled) is available as an option upon request. Examples are: MAIL, PAYMENTS, OUTGOING MAIL, LETTERS, KEYS, SUGGESTION BOX, OFFICE, RENT DROP or as specified. \$20.00

MAIL SLOT (STANDARD)
Mail drops feature an 11" W x 4" H mail slot.

CHUTE (STANDARD)
Attached to each mail drop is a 11-3/4" W x 5" H x 6-1/4" D chute angled at 25°.

ADJUSTABLE MAIL FLAP STOP (STANDARD)
Attached to the inside of each mail drop chute is an adjustable mail flap stop that can limit the size of the mail flap opening.



side view

DESCRIPTION
2255¹ - Mail Drop

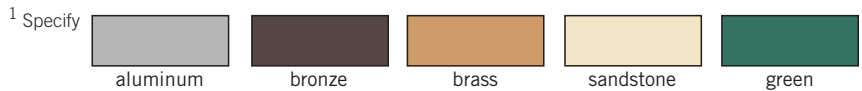
UNIT SIZE
14" W x 7" H x 6" D
• Rough opening: 12-1/4" W x 5-1/2" H
• Mail slot: 11" W x 4" H

WEIGHT
10 lbs.

PRICE
\$200.00



2255



RECEPTACLES PRIVATE ACCESS R

Made of sheet and extruded aluminum, Salsbury receptacles have a 12" W x 6" H rear opening which aligns with mail drops (#2255 - see above - order separately). Receptacles have heavy duty 1/4" thick aluminum doors and are accessed from the front. Receptacles include a lock with two (2) keys and feature a durable powder coated finish available in five (5) contemporary colors. Custom engraving (#2266), plexiglass windows (#2273) and thumb latches (#2288) are available as options upon request.

DESCRIPTION
2256¹ - Receptacle

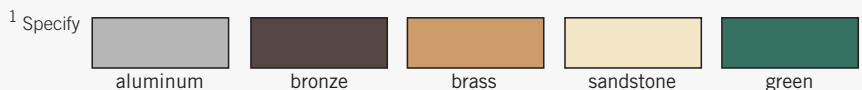
UNIT SIZE
15" W x 19" H x 7-1/2" D
Rear opening: 12" W x 6" H

WEIGHT
20 lbs.

PRICE
\$250.00



2256

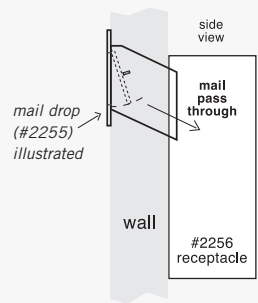


CUSTOM ENGRAVING
(OPTION - #2266)
Custom engraving (specify regular or black filled) is available as an option upon request.

Examples are: OUTGOING MAIL, MAIL, PAYMENTS, LETTERS, KEYS, SUGGESTION BOX, OFFICE, RENT DROP or as specified.
\$20.00

PLEXIGLASS WINDOW
(OPTION - #2273)
A 2" W x 10" H plexiglass window is available as an option upon request.
\$25.00

THUMB LATCH
(OPTION - #2288)
A non-locking thumb latch is available as an option upon request.
\$15.00



order mail drops and receptacles separately



#2256 receptacle with custom engraving - regular (#2266) and #2255 mail drop displayed