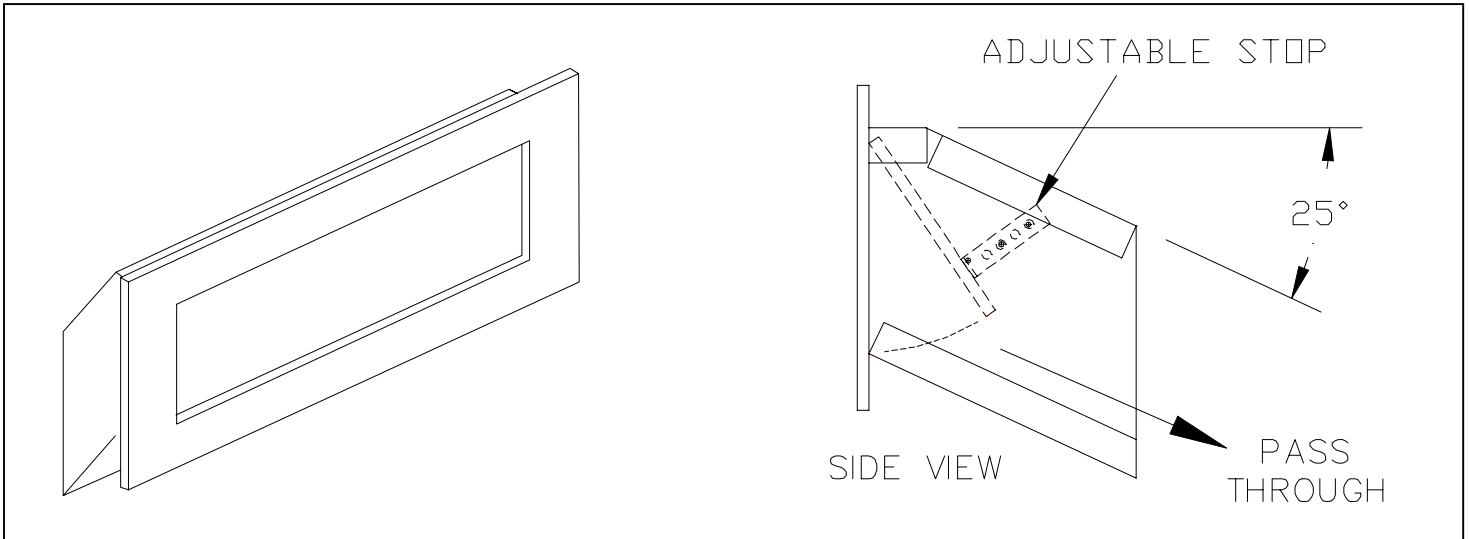


Mail Drops – 2255

Installation Instructions

Thank you for selecting Salsbury's Mail Drop 2255. With its rugged 20 gauge steel construction, 1/4" thick aluminum front panel & flap and a durable powder coated finish, Salsbury's 2255 Mail Drop will provide years of maintenance free service.

Model 2255 Mail Drop



Note: A receptacle (#2256) is sold separately.

#2255 Overall Dimensions: 14"W x 7"H x 6"D

#2255 Rough Opening Dimensions: 12-1/4"W x 5-1/2"H

1. Hold unit up on wall at desired height.
2. Mark the unit's location on the wall. Cut out the rough opening in the wall (12-1/4"W x 5-1/2"H).
3. Frame the opening and replace any framing/blocking that has been cut.
4. Place unit in the opening and secure to the framing by drilling screws from the inside of the mail drop through the side of the walls and into the framing.

SALSBURY INDUSTRIES

1010 East 62nd Street, Los Angeles, CA 90001-1598
Phone: 1-800-624-5269 Int'l Phone: 323-846-6700
Fax: 1-800-624-5299 Int'l Fax: 323-846-6800
www.mailboxes.com engineering@mailboxes.com

Installation instructions are provided as general guidelines. It is advised that a professional installer be consulted. Salsbury Industries assumes no product assembly or installation liability.
Copyright © 2006 Salsbury Industries. All rights reserved.