

19900 Free-Standing Enclosures

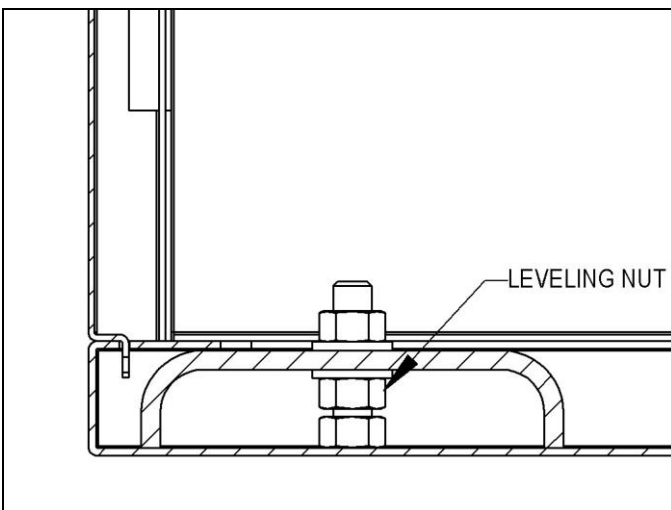
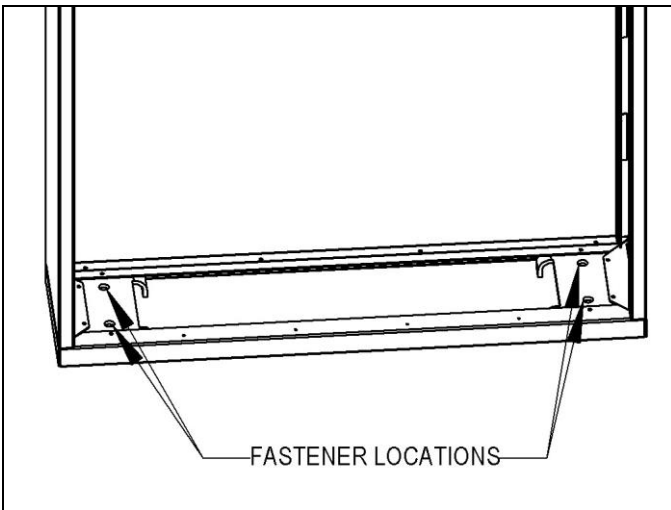
For 19000/19100 Series Recessed Mounted Cell Phone Lockers

Installation Instructions

Installation of the free-standing enclosure requires first installing the enclosure to its mounting surface, then installing the enclosure front panel to the enclosure and lastly installing the recessed cell phone locker into the enclosure.

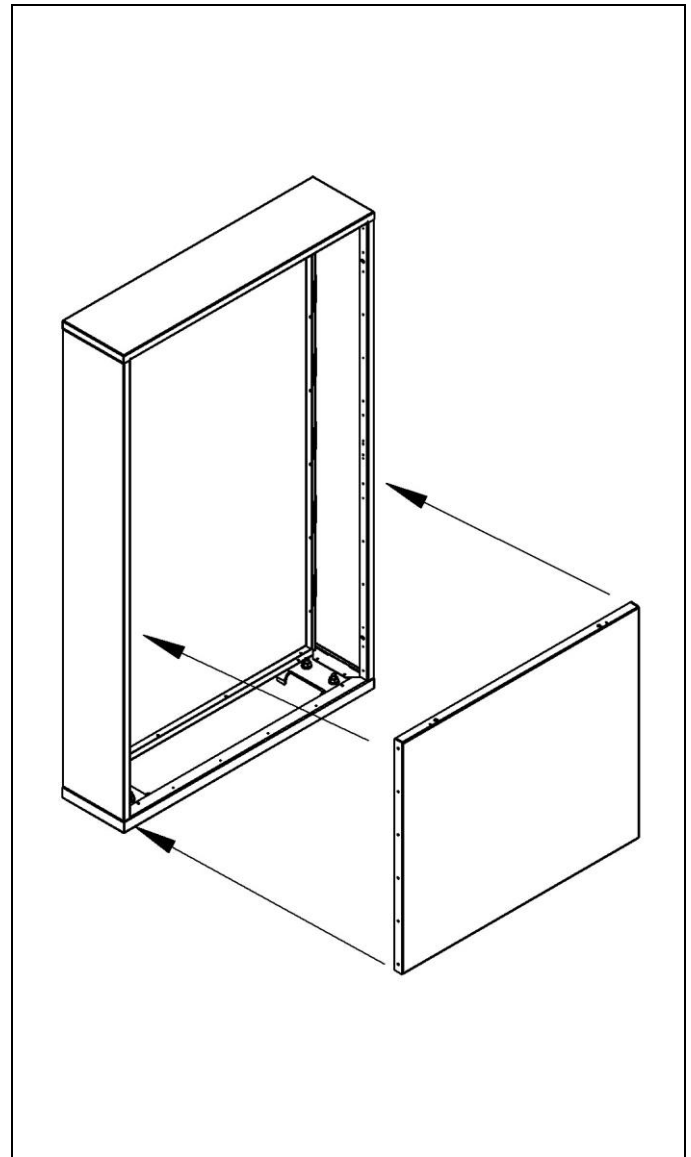
Installing Free-Standing Enclosure to Floor

Place the enclosure onto the selected location. Mark the fastener locations on the mounting surface by transferring the four (4) large holes locations in the bottom side flanges to the mounting surface. Remove the enclosure and make the holes for the installation fasteners. Install the fasteners (not provided). Return the enclosure to the selected location. Complete the installation of the fasteners. The use of leveling nuts on stud anchors is suggested.



Installing Enclosure Front Panel

Install the front panel to the enclosure using #10 x 1/2 in. long screws (provided). Attach it to the enclosure along the two sides and the bottom.



SALSBURY INDUSTRIES

18300 Central Avenue, Carson, CA 90746-4008
Phone: 1-800-624-5269 Int'l Phone: 323-846-6700
Fax: 1-800-624-5299 Int'l Fax: 323-846-6800

www.lockers.com

www.mailboxes.com

engineering@mailboxes.com

engineering@lockers.com

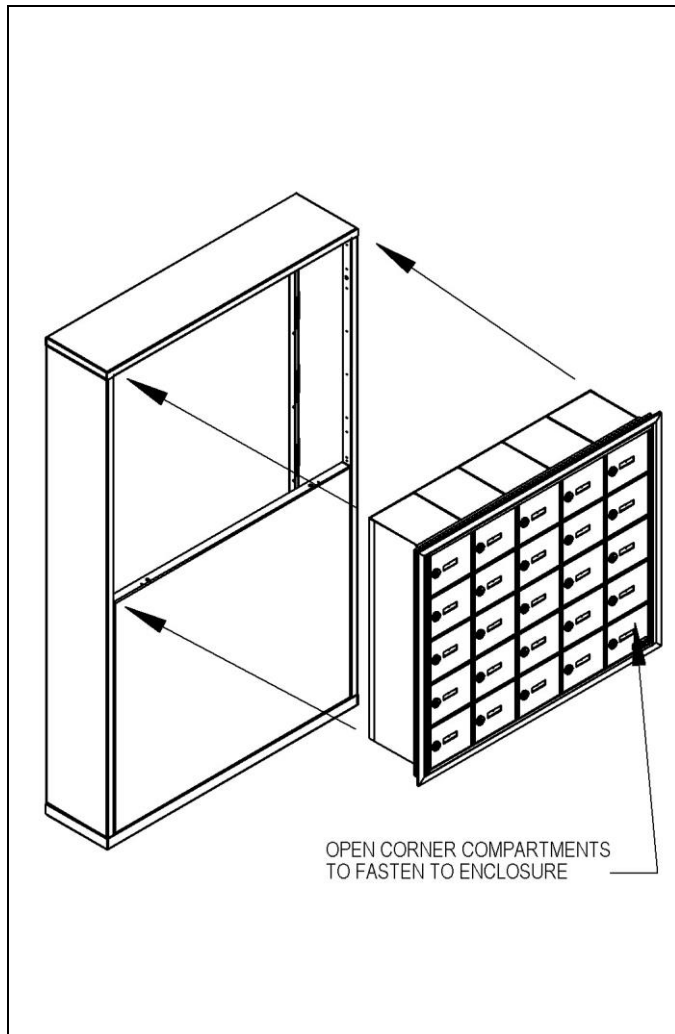
19900 Free-Standing Enclosures

For 19000/19100 Series Recessed Mounted Cell Phone Lockers

Installation Instructions

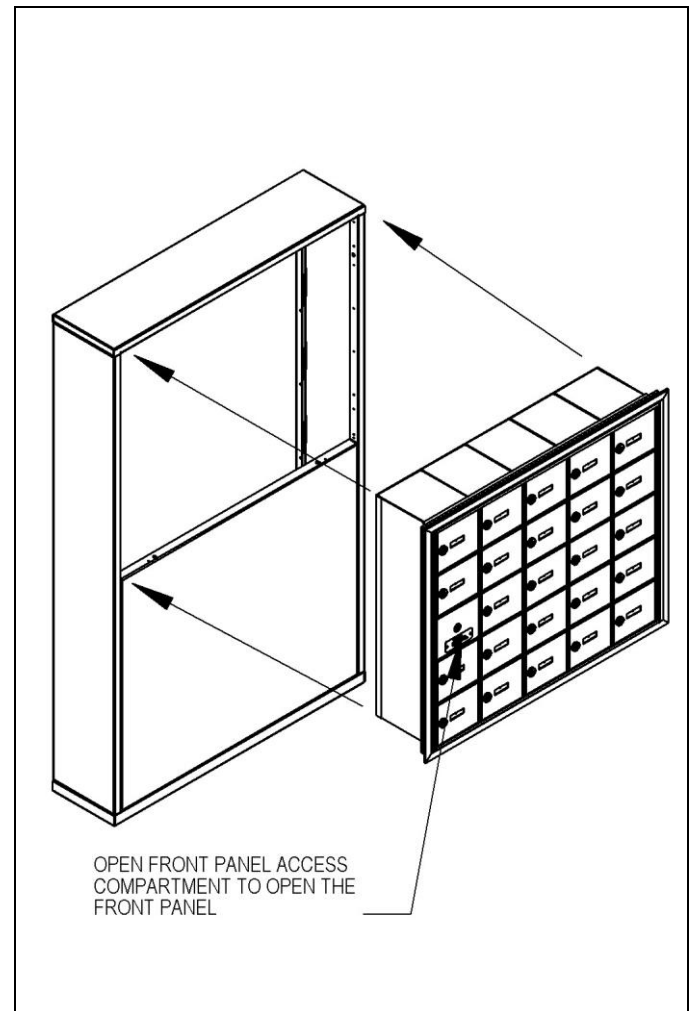
Installing Recessed Cell Phone Locker – without Front Access Panel

Install the locker unit into the enclosure by sliding it into the enclosure until its front peripheral flange is flush against the front of the enclosure. Open the four corner compartments of the cell phone locker. Install #8 x 1-1/4 in. long screws (provided) through the top and bottom of the locker unit into the enclosure. Close the compartment doors.



Installing Recessed Cell Phone – with Front Access Panel

Install the locker unit into the enclosure by sliding it into the enclosure until its front peripheral flange is flush against the front of the enclosure. Open the front panel access compartment of the cell phone locker then open the front panel. Install #8 x 1-1/4 in. long screws (provided) through the slots in the sides of the front peripheral flange of the locker unit into the enclosure. Close the front panel then the front panel access compartment.



SALSBURY INDUSTRIES

18300 Central Avenue, Carson, CA 90746-4008
Phone: 1-800-624-5269 Int'l Phone: 323-846-6700
Fax: 1-800-624-5299 Int'l Fax: 323-846-6800

www.lockers.com

www.mailboxes.com

engineering@mailboxes.com

engineering@lockers.com