

Collection Units – 3600 Series

FRONT and REAR LOADING Installation Instructions

Front Loading Instructions

(See second page for rear loading instructions.)

With a rugged all aluminum construction, the Salsbury's 3600 series mail collection unit will provide years of maintenance free service. The 3 front loading units in the series are sized vertically to match the height of the most commonly installed 3600 series horizontal mailboxes.

Notes

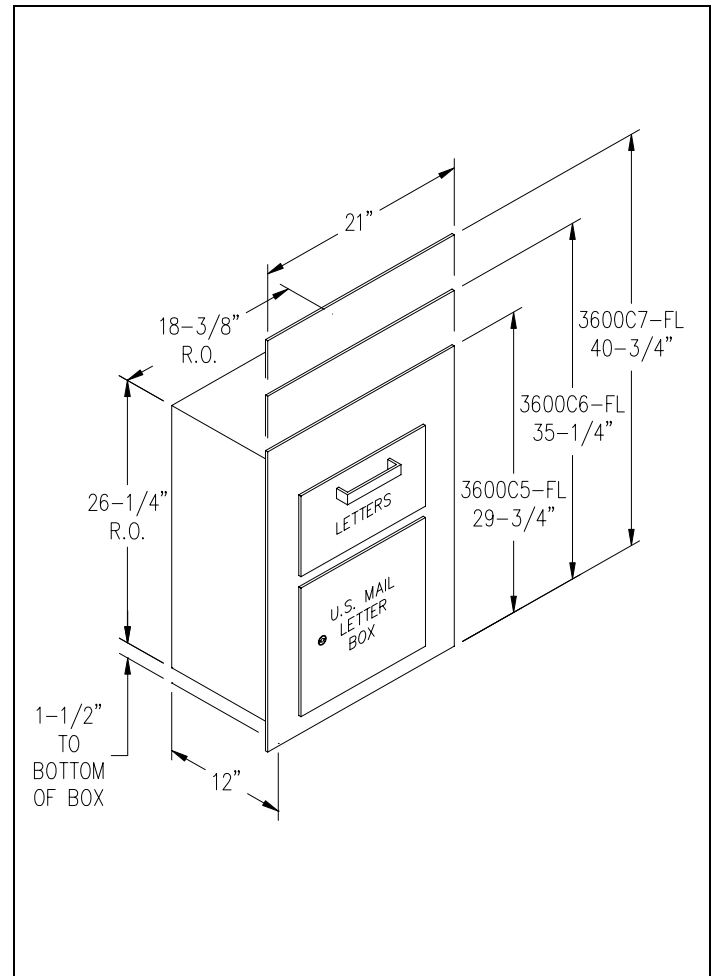
1. Wall opening and lumber frame must be square.
2. Collection units should be shielded from direct weather conditions.
3. Hardware is not included to install units into rough opening.

Installation Instructions

1. It is recommended that the collection unit be unpacked and reviewed before construction of the rough opening and support framing. The collection unit is shipped fully assembled.
2. Using standard construction framing methods, frame wall according to the rough opening dimensions provided. For additional support, an additional base and platform below the unit (and behind the wall) can also be fabricated using standard framing methods.
3. Place unit in rough opening and securely fasten to the support framing with screws through the holes provided. **Caution: Do not deform, force, or twist the frame to fit an incorrect rough opening or against an irregular surface, as this will affect the alignment of the assembly.**

USPS Master Lock Installation

Contact your local postmaster for units serviced by the United States Postal Service. The USPS will supply and install its own master lock on your collection unit upon request. Studs and nuts for the USPS master lock are provided.



SALSBURY INDUSTRIES

1010 East 62nd Street, Los Angeles, CA 90001-1598
Phone: 1-800-624-5269 Int'l Phone: 323-846-6700
Fax: 1-800-624-5299 Int'l Fax: 323-846-6800
www.mailboxes.com engineering@mailboxes.com

Collection Units – 3600 Series

FRONT and REAR LOADING Installation Instructions

Rear Loading Instructions

(See first page for front loading instructions.)

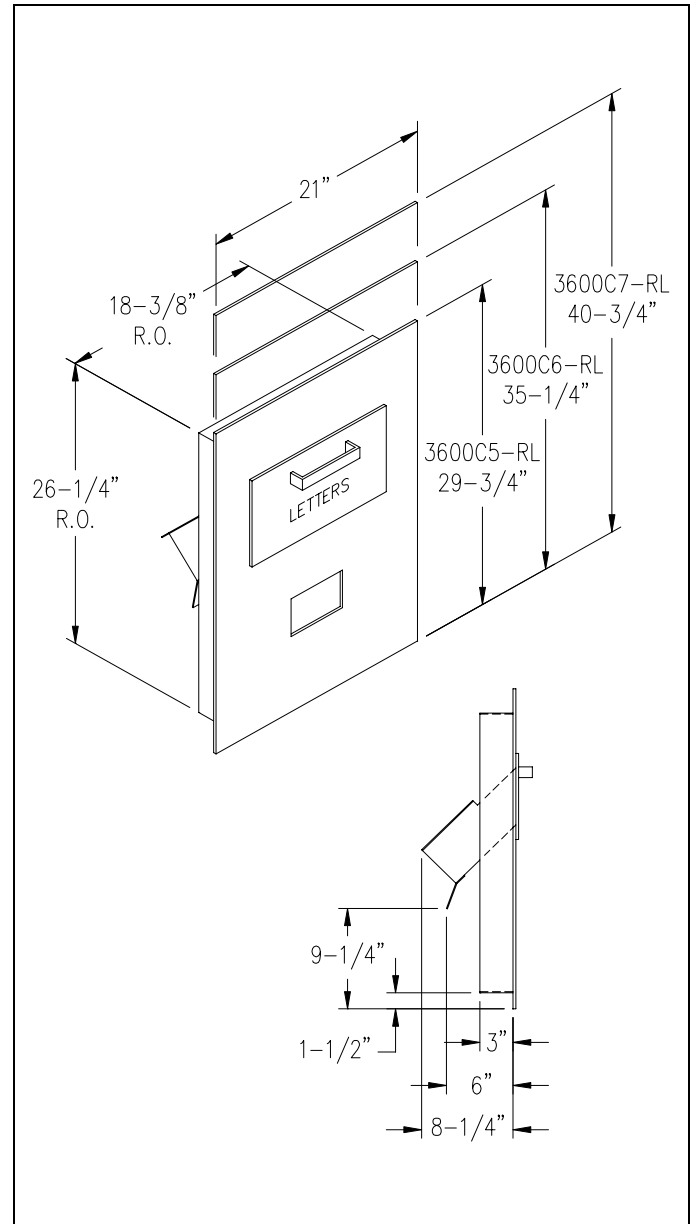
With a rugged all aluminum construction, the Salsbury's 3600 series mail collection unit will provide years of maintenance free service. The 3 rear loading units in the series are sized vertically to match the height of the most commonly installed 3600 series horizontal mailboxes.

Notes

1. Wall opening and lumber frame must be square.
2. Collection units should be shielded from direct weather conditions.
3. Hardware is not included to install units into rough opening.
4. Customer to supply mail receiving receptacle for rear loading collection units.

Installation Instructions

1. It is recommended that the collection unit be unpacked and reviewed before construction of the rough opening and support framing. The collection unit is shipped fully assembled.
2. Using standard construction framing methods, frame wall according to the rough opening dimensions provided.
3. Place unit in rough opening and securely fasten to the support framing with screws through the holes provided. **Caution: Do not deform, force, or twist the frame to fit an incorrect rough opening or against an irregular surface, as this will affect the alignment of the assembly.**



SALSBUURY INDUSTRIES

1010 East 62nd Street, Los Angeles, CA 90001-1598
 Phone: 1-800-624-5269 Int'l Phone: 323-846-6700
 Fax: 1-800-624-5299 Int'l Fax: 323-846-6800
 www.mailboxes.com engineering@mailboxes.com