

CBU PEDESTAL COVER

Installation Instructions

CBU Pedestal Cover consists of two identical pieces that are installed with a lanced latch feature. No tools required.

INSTALLATION INSTRUCTIONS

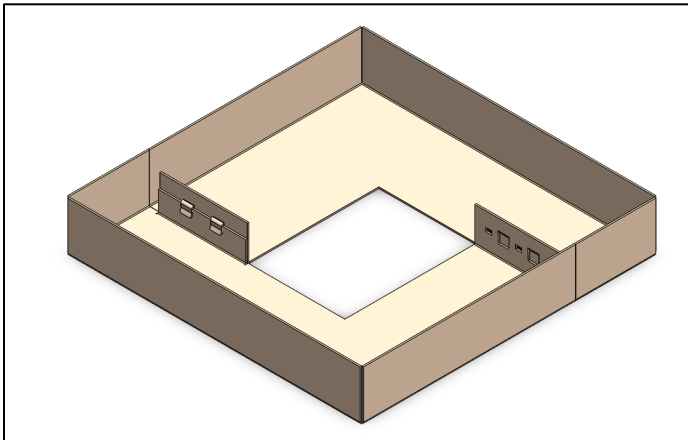


Figure 1: Cover shown upside down to illustrate the lanced latch feature.

STEP 1: Prepare the Area

Before installing the cover, ensure the cover surface is clean and free of debris. Provide adequate clearance around the pedestal for the cover pieces to snap together.

STEP 2: Identify the Cover Pieces

Your cover consists of two identical pieces. Each piece includes a lanced latch feature that allows the two pieces to securely connect, once positioned around the pedestal.

STEP 3: Install the First Piece

- Place the first piece against one side of the pedestal.
- Align the bottom edge of the piece with the base of the pedestal.
- Ensure the latching edges remain accessible for connection to the second piece.

STEP 4: Install the Second Piece

- Position the second piece on the opposite side of the pedestal.
- Align the bottom edges of both pieces so they sit evenly.

STEP 5: Connect the Two Pieces

- Bring the two pieces together around the pedestal.
- Starting at the bottom, gently press the lanced tangs of one half into the other.
- Continue working upward until all latches fully engage with a noticeable “click.”

Tip: If a latch does not immediately engage, lightly flex the edge outward and press the pieces together again.

STEP 6: Confirm proper fit

After installation, verify that:

- Latches are securely engaged
- The seam between the two pieces is even
- The cover fits tightly and does not shift or loosen

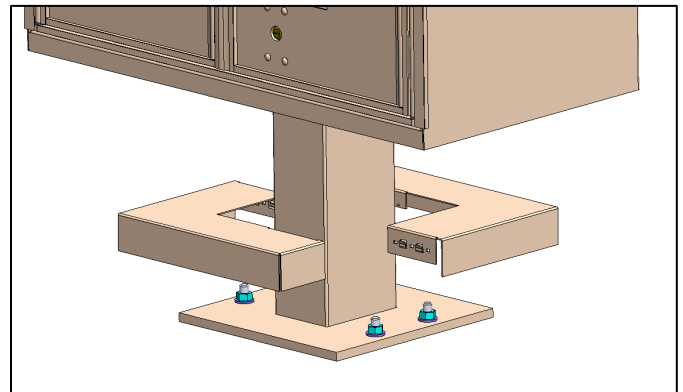


Figure 2: Pedestal Cover before Installation

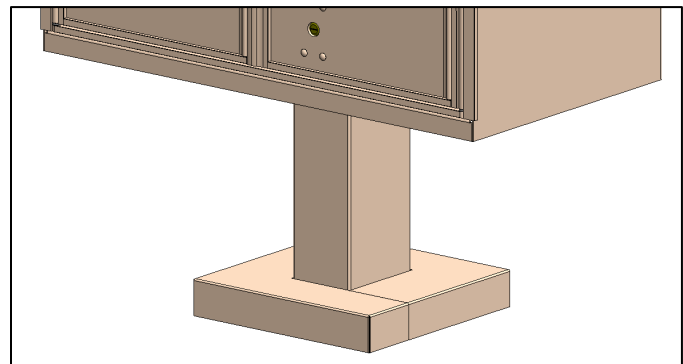


Figure 3: Pedestal Cover after Installation

REMOVAL PROCESS:

To remove the pedestal cover, lift the assembled cover from the ground and gently separate the pieces near a latch point. Disengage the tang from the slot, until all latches are released. Once disengaged, lift each piece away from the pedestal.

Phone: 1-800-624-5269
Fax: 1-800-624-5299
www.mailboxes.com

SALSBURY INDUSTRIES
18300 Central Avenue
Carson, CA 90746-4008

Int'l Phone: +1-323-846-6700
Int'l Fax: +1-323-846-6800
engineering@mailboxes.com