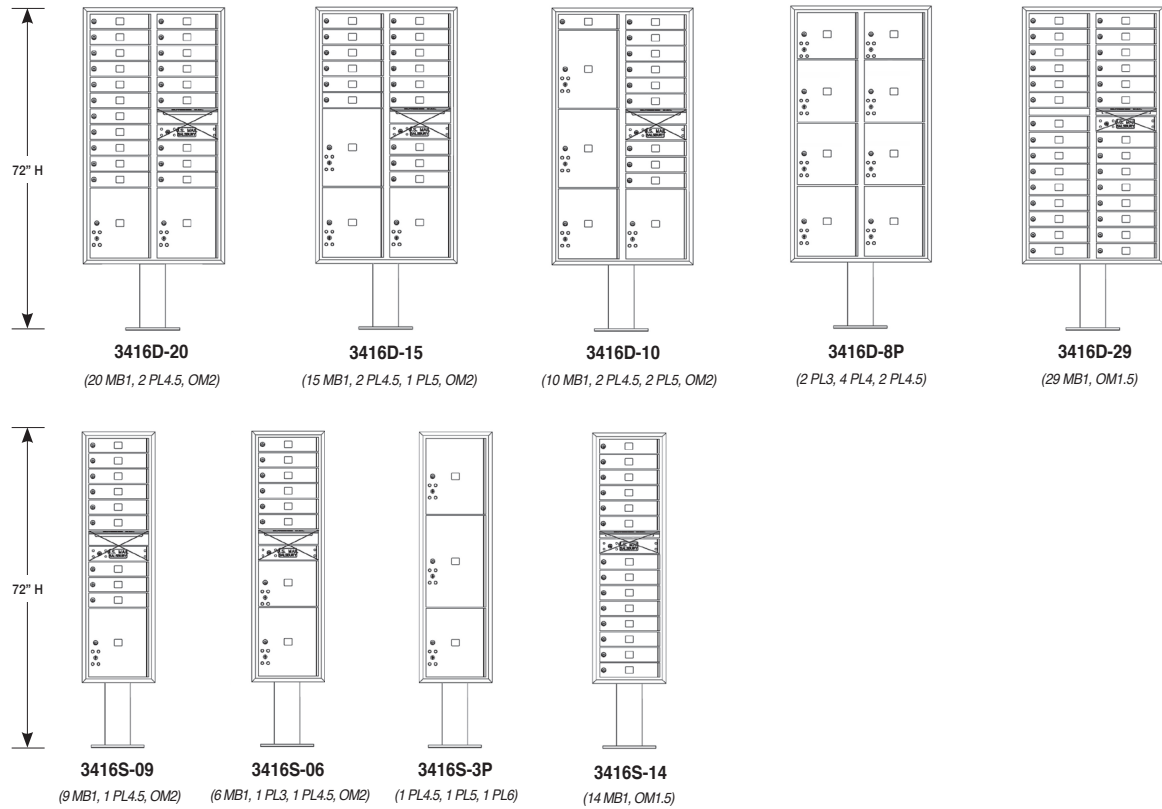
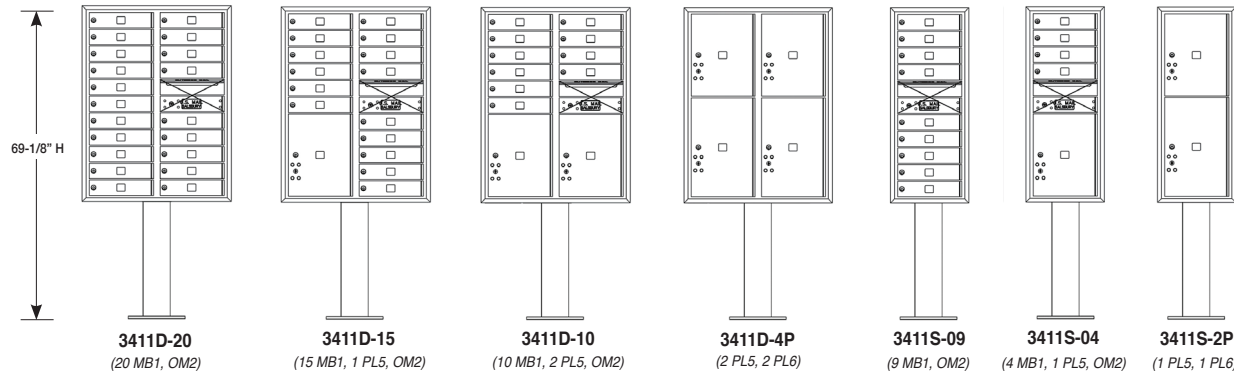


MAXIMUM HEIGHT UNITS - STANDARD HEIGHT



11 DOOR HIGH UNITS - STANDARD HEIGHT



DOUBLE COLUMN WIDTH: 32-1/4" W
SINGLE COLUMN WIDTH: 17-1/2" W

MAILBOX DOOR SIZES:

- MB1 - 13-1/4" W x 3-1/4" H
- MB2 - 13-1/4" W x 6-3/4" H
- MB3 - 13-1/4" W x 10-1/4" H
- MB4 - 13-1/4" W x 13-3/4" H

PARCEL LOCKER DOOR SIZES:

- PL3 - 13-1/4" W x 10-1/4" H
- PL4 - 13-1/4" W x 13-3/4" H
- PL4.5 - 13-1/4" W x 15-1/2" H
- PL5 - 13-1/4" W x 17-1/4" H
- PL6 - 13-1/4" W x 20-3/4" H

 **OUTGOING MAIL COMPARTMENT (OM2)**

Note: Units (excluding stand-alone parcel lockers) include a two (2) door high compartment for outgoing mail collection.

 **OUTGOING MAIL COMPARTMENT (OM3)**

Note: Units (excluding stand-alone parcel lockers) include a two (2) door high compartment for outgoing mail collection. The OM3 adds a fixed panel door directly below the OM2, but does not add extra capacity for mail collection.

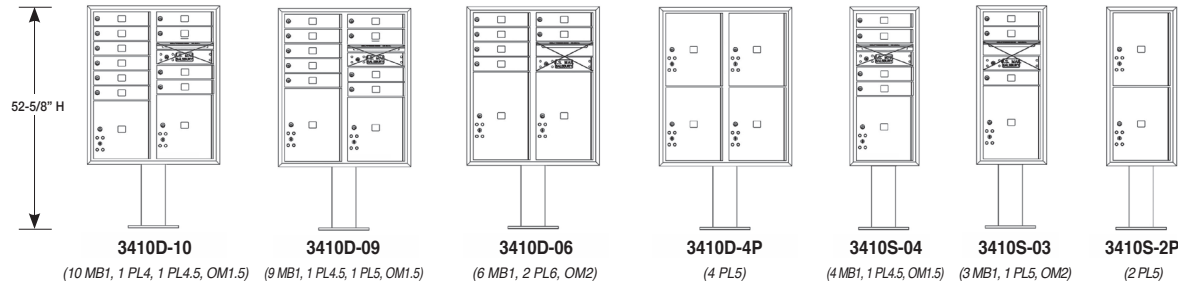
 **OUTGOING MAIL COMPARTMENT (OM1.5)**

Note: Both front loading and rear loading units include a one and a half (1.5) door high compartment for outgoing mail collection.

 **CARRIER ACCESS (CA) DOOR**

Note: Salsbury Pedestal Mounted 4C Horizontal Mailboxes include a U.S.P.S. approved 4C horizontal mailbox unit, a matching enclosure and pedestal and master commercial lock(s) for private access. For delivery of U.S. mail, contact your local postmaster for approval.

10 DOOR HIGH UNITS - STANDARD HEIGHT (ADA Compliant)



DOUBLE COLUMN WIDTH: 32-1/4" W
SINGLE COLUMN WIDTH: 17-1/2" W

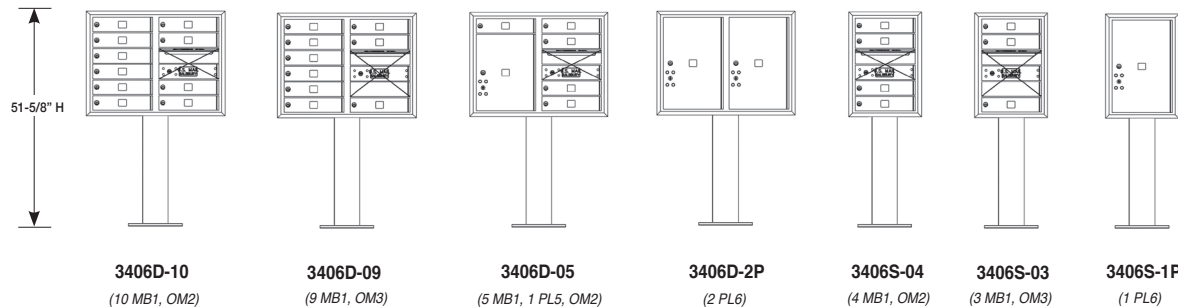
MAILBOX DOOR SIZES:

MB1 - 13-1/4" W x 3-1/4" H
MB2 - 13-1/4" W x 6-3/4" H
MB3 - 13-1/4" W x 10-1/4" H
MB4 - 13-1/4" W x 13-3/4" H

PARCEL LOCKER DOOR SIZES:

PL3 - 13-1/4" W x 10-1/4" H
PL4 - 13-1/4" W x 13-3/4" H
PL4.5 - 13-1/4" W x 15-1/2" H
PL5 - 13-1/4" W x 17-1/4" H
PL6 - 13-1/4" W x 20-3/4" H

6 DOOR HIGH UNITS - STANDARD HEIGHT (ADA Compliant)



Note: Units (excluding stand-alone parcel lockers) include a two (2) door high compartment for outgoing mail collection.



Note: Units (excluding stand-alone parcel lockers) include a two (2) door high compartment for outgoing mail collection. The OM3 adds a fixed panel door directly below the OM2, but does not add extra capacity for mail collection.



Note: Both front loading and rear loading units include a one and a half (1.5) door high compartment for outgoing mail collection.



Note: Salsbury Pedestal Mounted 4C Horizontal Mailboxes include a U.S.P.S. approved 4C horizontal mailbox unit, a matching enclosure and pedestal and master commercial lock(s) for private access. For delivery of U.S. mail, contact your local postmaster for approval.