

MODEL #3906D-10 - FRONT LOADING

- (10) 'MB1' DOORS
- (1) 'OM2' OUTGOING MAIL COMPARTMENT

MODEL #3906D-10

4C HORIZONTAL MAILBOXES-FRONT LOADING

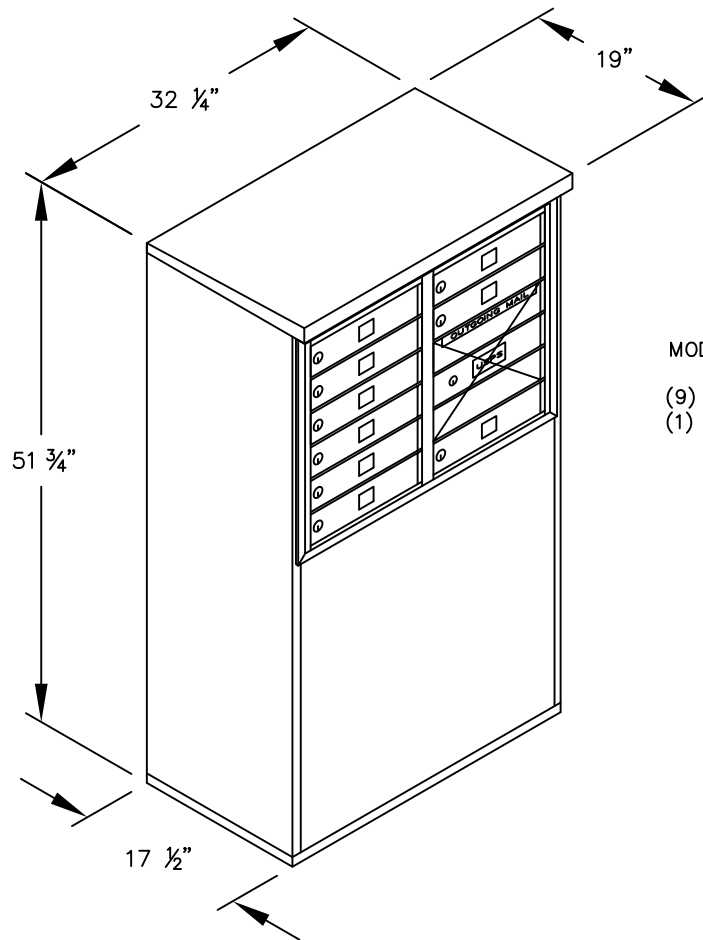
AVAILABLE COLORS:
ALUMINUM, BRONZE, SANDSTONE OR BLACK

AVAILABLE FOR:
USPS ACCESS OR PRIVATE ACCESS

DRAWN: 3/2020

Established in 1936, Salsbury Industries is the industry leader in manufacturing and distributing quality mailboxes.

18300 CENTRAL AVENUE
CARSON, CA 90746-4008
PHONE: (800) 624-5269
FAX: (800) 624-5299
email: engineering@mailboxes.com



MODEL #3906D-09 - FRONT LOADING

- (9) 'MB1' DOORS
- (1) 'OM3' OUTGOING MAIL COMPARTMENT

MODEL #3906D-09

4C HORIZONTAL MAILBOXES-FRONT LOADING

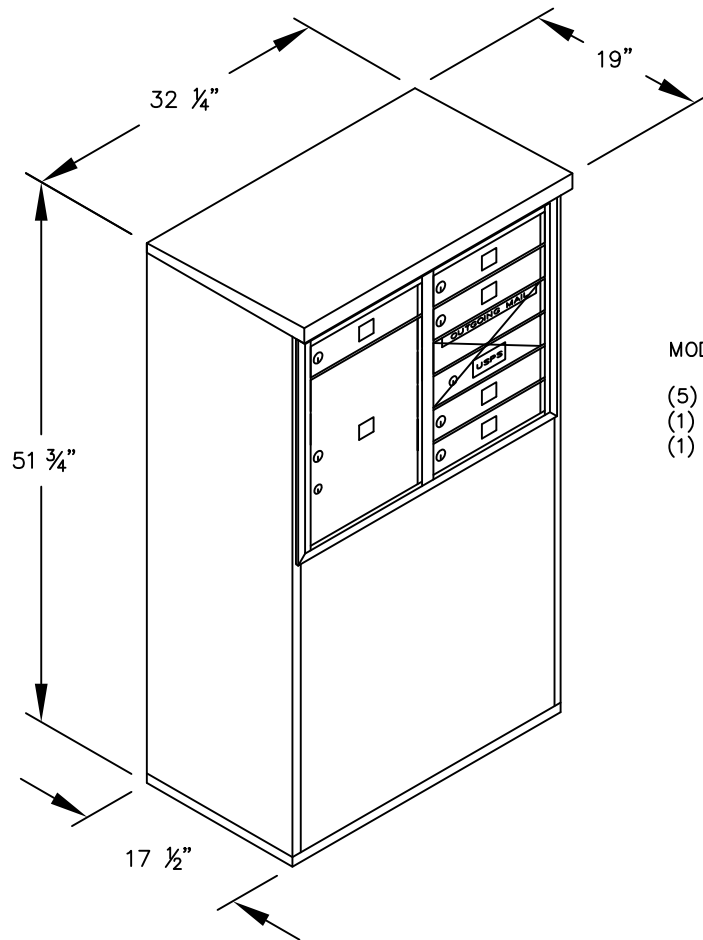
AVAILABLE COLORS:
ALUMINUM, BRONZE, SANDSTONE OR BLACK

AVAILABLE FOR:
USPS ACCESS OR PRIVATE ACCESS

DRAWN: 3/2020

Established in 1936, Salsbury Industries is the industry leader in manufacturing and distributing quality mailboxes.

18300 CENTRAL AVENUE
CARSON, CA 90746-4008
PHONE: (800) 624-5269
FAX: (800) 624-5299
email: engineering@mailboxes.com



MODEL #3906D-05 - FRONT LOADING

- (5) 'MB1' DOORS
- (1) 'OM2' OUTGOING MAIL COMPARTMENT
- (1) PL5 PARCEL LOCKER (17 1/4" H)

MODEL #3906D-05

4C HORIZONTAL MAILBOXES-FRONT LOADING

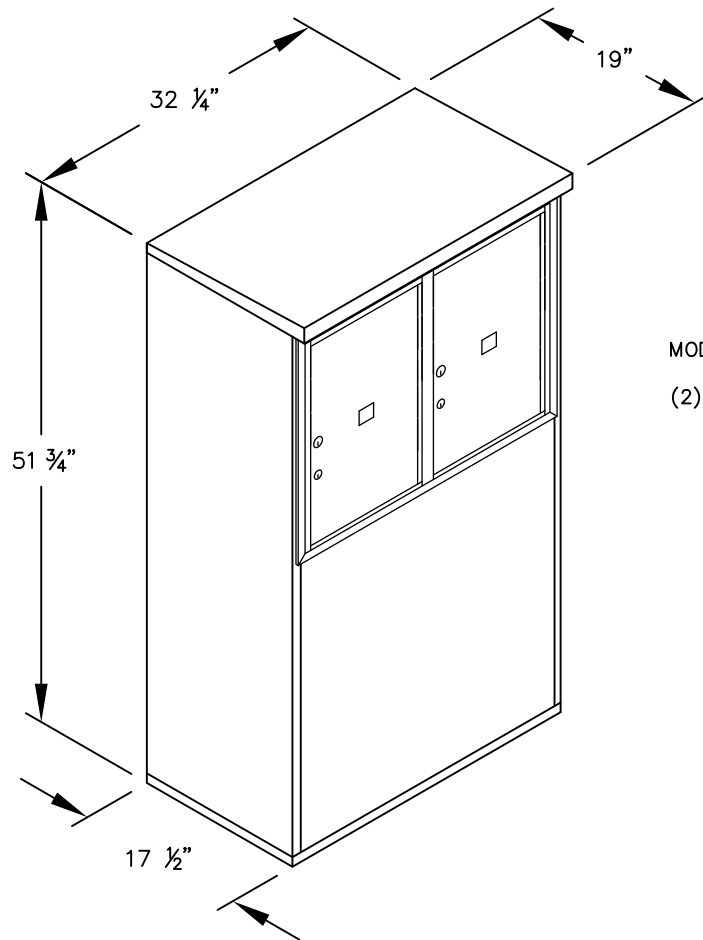
AVAILABLE COLORS:
ALUMINUM, BRONZE, SANDSTONE OR BLACK

AVAILABLE FOR:
USPS ACCESS OR PRIVATE ACCESS

DRAWN: 3/2020

Established in 1936, Salsbury Industries is the industry leader in manufacturing and distributing quality mailboxes.

18300 CENTRAL AVENUE
CARSON, CA 90746-4008
PHONE: (800) 624-5269
FAX: (800) 624-5299
email: engineering@mailboxes.com



MODEL #3906D-2P – FRONT LOADING
(2) PL6 PARCEL LOCKERS (20 3/4" H)

MODEL #3906D-2P

4C HORIZONTAL MAILBOXES-FRONT LOADING

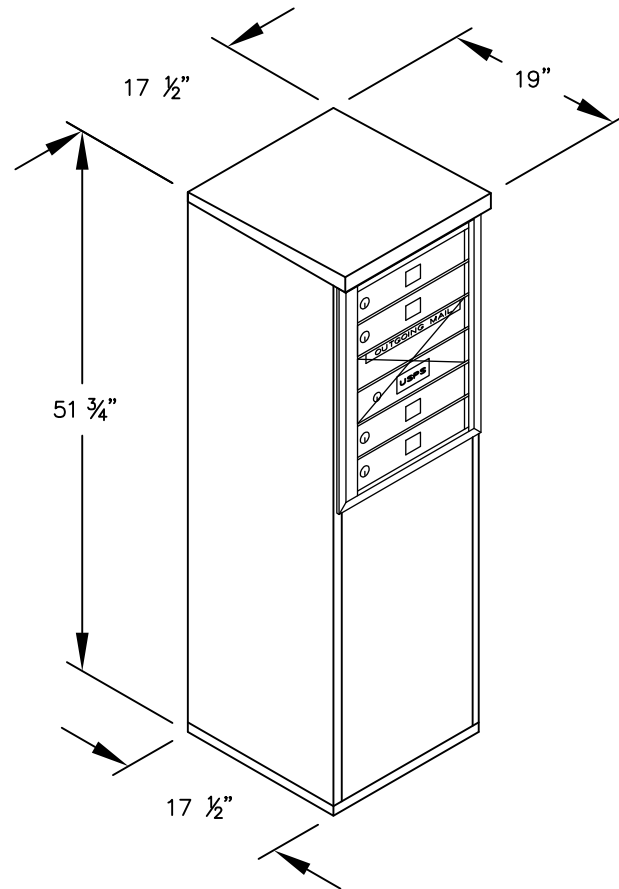
AVAILABLE COLORS:
ALUMINUM, BRONZE, SANDSTONE OR BLACK

AVAILABLE FOR:
USPS ACCESS OR PRIVATE ACCESS

DRAWN: 3/2020

Established in 1936, Salsbury Industries is the industry leader in manufacturing and distributing quality mailboxes.

18300 CENTRAL AVENUE
CARSON, CA 90746-4008
PHONE: (800) 624-5269
FAX: (800) 624-5299
email: engineering@mailboxes.com



MODEL #3906S-04 – FRONT LOADING

- (4) 'MB1' DOORS
- (1) 'OM2' OUTGOING MAIL COMPARTMENT

MODEL #3906S-04

4C HORIZONTAL MAILBOXES—FRONT LOADING

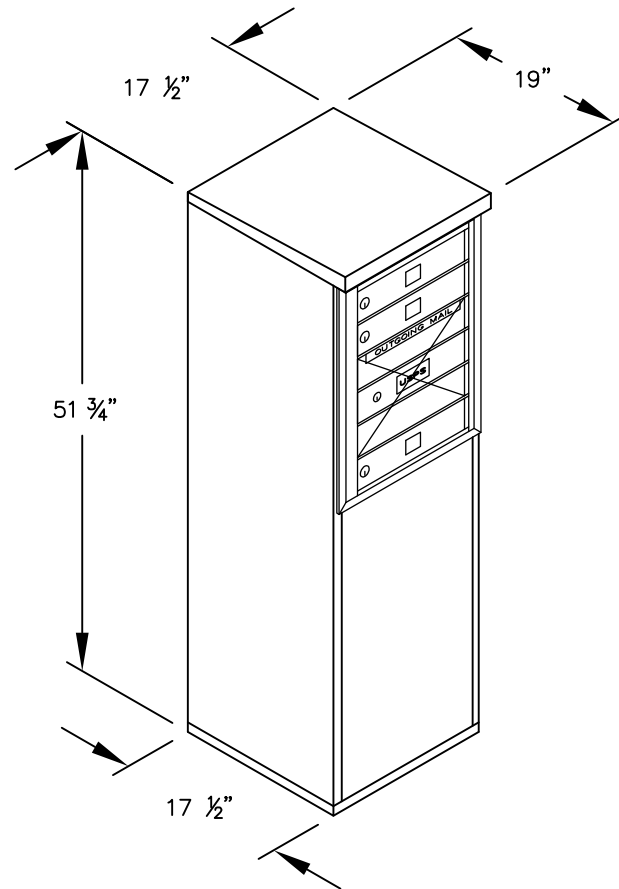
AVAILABLE COLORS:
ALUMINUM, BRONZE, SANDSTONE OR BLACK

AVAILABLE FOR:
USPS ACCESS OR PRIVATE ACCESS

DRAWN: 3/2020

Established in 1936, Salsbury Industries is the industry leader in manufacturing and distributing quality mailboxes.

18300 CENTRAL AVENUE
CARSON, CA 90746-4008
PHONE: (800) 624-5269
FAX: (800) 624-5299
email: engineering@mailboxes.com



MODEL #3906S-03 – FRONT LOADING

- (3) 'MB1' DOORS
- (1) 'OM3' OUTGOING MAIL COMPARTMENT

MODEL #3906S-03

4C HORIZONTAL MAILBOXES—FRONT LOADING

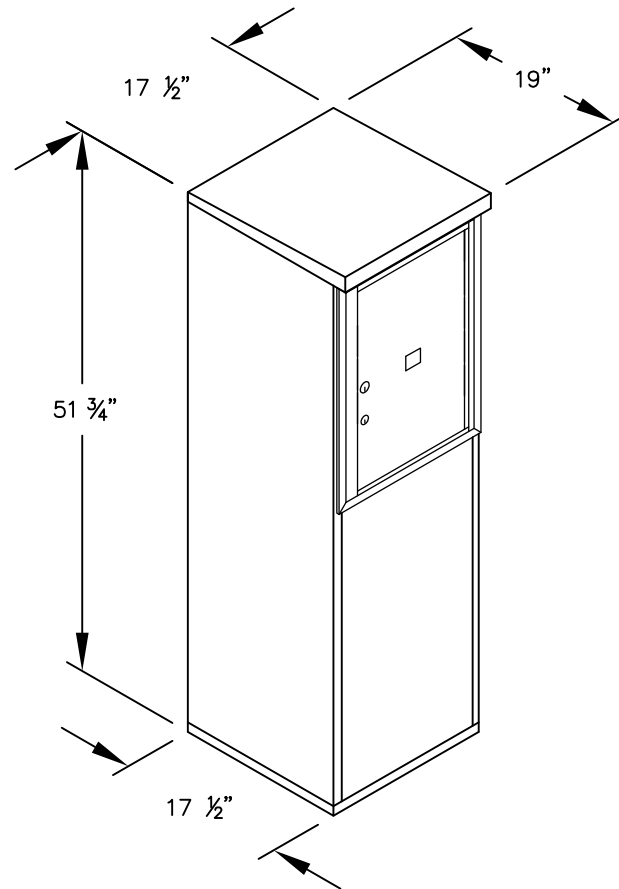
AVAILABLE COLORS:
ALUMINUM, BRONZE, SANDSTONE OR BLACK

AVAILABLE FOR:
USPS ACCESS OR PRIVATE ACCESS

DRAWN: 3/2020

Established in 1936, Salsbury Industries is the industry leader in manufacturing and distributing quality mailboxes.

18300 CENTRAL AVENUE
CARSON, CA 90746-4008
PHONE: (800) 624-5269
FAX: (800) 624-5299
email: engineering@mailboxes.com



MODEL #3906S-1P – FRONT LOADING

(1) PL6 PARCEL LOCKER (20 3/4" H)

MODEL #3906S-1P

4C HORIZONTAL MAILBOXES—FRONT LOADING

AVAILABLE COLORS:
ALUMINUM, BRONZE, SANDSTONE OR BLACK

AVAILABLE FOR:
USPS ACCESS OR PRIVATE ACCESS

DRAWN: 3/2020

Established in 1936, Salsbury Industries is the industry leader in manufacturing and distributing quality mailboxes.

18300 CENTRAL AVENUE
CARSON, CA 90746-4008
PHONE: (800) 624-5269
FAX: (800) 624-5299
email: engineering@mailboxes.com