

MODEL #3911D-20 – FRONT LOADING

(20) 'MB1' DOORS

(1) 'OM2' OUTGOING MAIL COMPARTMENT

MODEL #3911D-20

4C HORIZONTAL MAILBOXES—FRONT LOADING

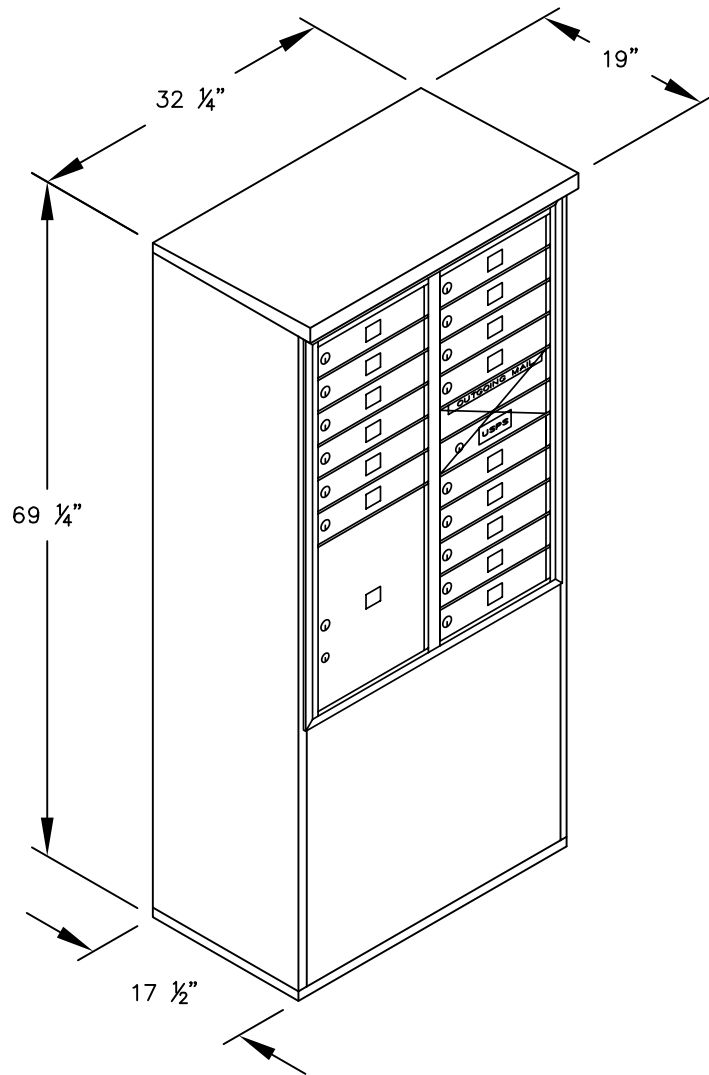
AVAILABLE COLORS:  
ALUMINUM, BRONZE, SANDSTONE OR BLACK

AVAILABLE FOR:  
USPS ACCESS OR PRIVATE ACCESS

DRAWN: 3/2020

***Established in 1936, Salsbury Industries is the industry leader in manufacturing and distributing quality mailboxes.***

18300 CENTRAL AVENUE  
CARSON, CA 90746-4008  
PHONE: (800) 624-5269  
FAX: (800) 624-5299  
email: [engineering@mailboxes.com](mailto:engineering@mailboxes.com)



MODEL #3911D-15 - FRONT LOADING

- (15) 'MB1' DOORS
- (1) 'OM2' OUTGOING MAIL COMPARTMENT
- (1) PL5 PARCEL LOCKER (17 1/4" H)

MODEL #3911D-15

4C HORIZONTAL MAILBOXES-FRONT LOADING

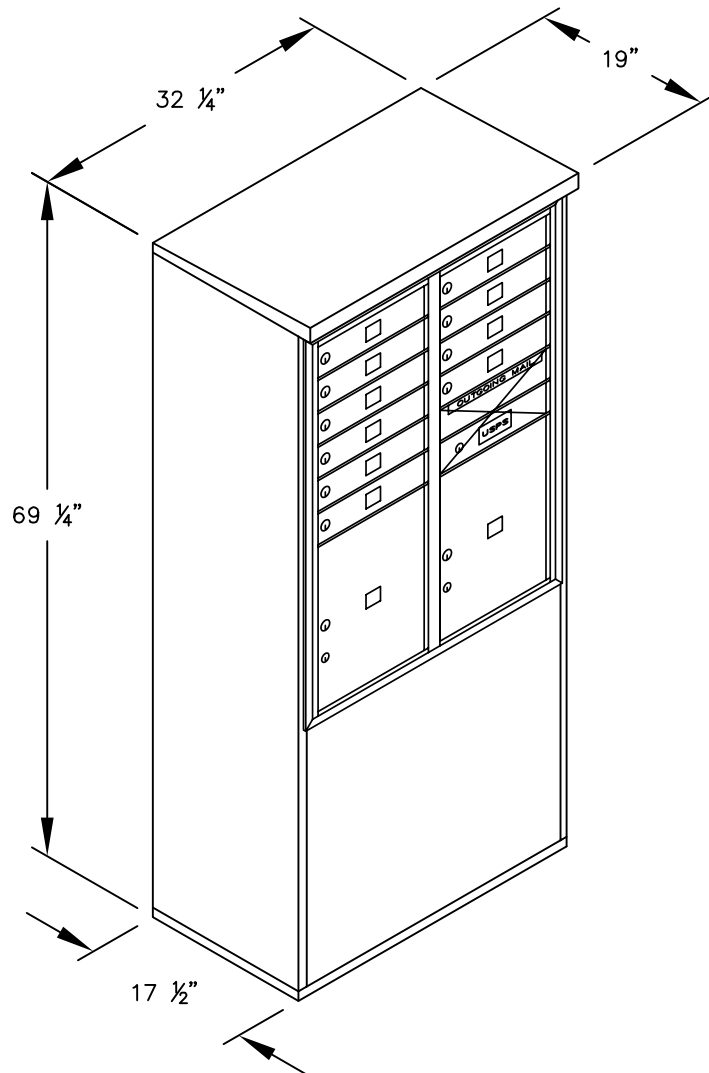
AVAILABLE COLORS:  
ALUMINUM, BRONZE, SANDSTONE OR BLACK

AVAILABLE FOR:  
USPS ACCESS OR PRIVATE ACCESS

DRAWN: 3/2020

***Established in 1936, Salsbury Industries is the industry leader in manufacturing and distributing quality mailboxes.***

18300 CENTRAL AVENUE  
CARSON, CA 90746-4008  
PHONE: (800) 624-5269  
FAX: (800) 624-5299  
email: [engineering@mailboxes.com](mailto:engineering@mailboxes.com)



MODEL #3911D-10 – FRONT LOADING

- (10) 'MB1' DOORS
- (1) 'OM2' OUTGOING MAIL COMPARTMENT
- (2) PL5 PARCEL LOCKERS (17 1/4" H)

**MODEL #3911D-10**

4C HORIZONTAL MAILBOXES—FRONT LOADING

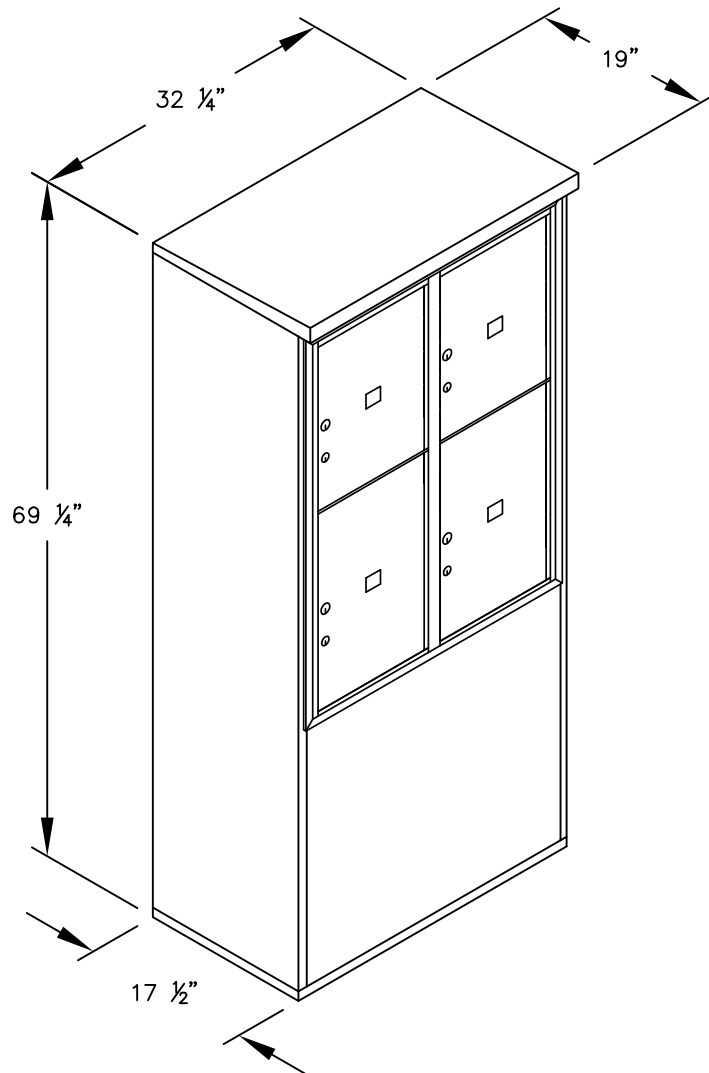
AVAILABLE COLORS:  
ALUMINUM, BRONZE, SANDSTONE OR BLACK

AVAILABLE FOR:  
USPS ACCESS OR PRIVATE ACCESS

DRAWN: 3/2020

***Established in 1936, Salsbury Industries is the industry leader in manufacturing and distributing quality mailboxes.***

18300 CENTRAL AVENUE  
CARSON, CA 90746-4008  
PHONE: (800) 624-5269  
FAX: (800) 624-5299  
email: [engineering@mailboxes.com](mailto:engineering@mailboxes.com)



MODEL #3911D-4P – FRONT LOADING

(2) PL5 PARCEL LOCKERS (17 1/4" H)  
 (2) PL6 PARCEL LOCKERS (20 3/4" H)

MODEL #3911D-4P

4C HORIZONTAL MAILBOXES—FRONT LOADING

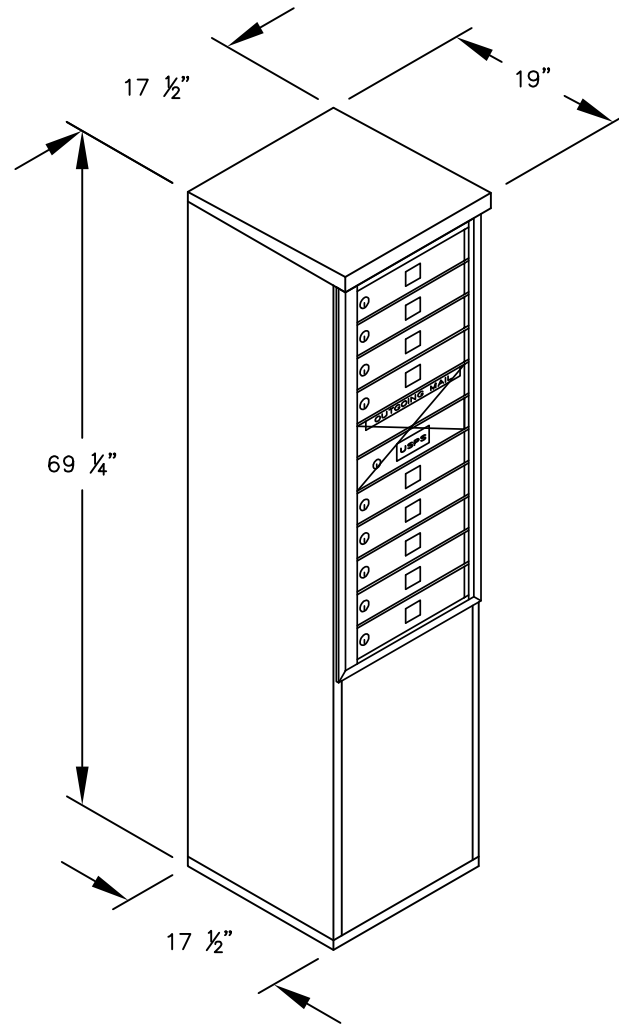
AVAILABLE COLORS:  
 ALUMINUM, BRONZE, SANDSTONE OR BLACK

AVAILABLE FOR:  
 USPS ACCESS OR PRIVATE ACCESS

DRAWN: 3/2020

***Established in 1936, Salsbury Industries is the industry leader in manufacturing and distributing quality mailboxes.***

18300 CENTRAL AVENUE  
 CARSON, CA 90746-4008  
 PHONE: (800) 624-5269  
 FAX: (800) 624-5299  
 email: [engineering@mailboxes.com](mailto:engineering@mailboxes.com)



MODEL #3911S-09 - FRONT LOADING

- (9) 'MB1' DOORS
- (1) 'OM2' OUTGOING MAIL COMPARTMENT

MODEL #3911S-09

4C HORIZONTAL MAILBOXES-FRONT LOADING

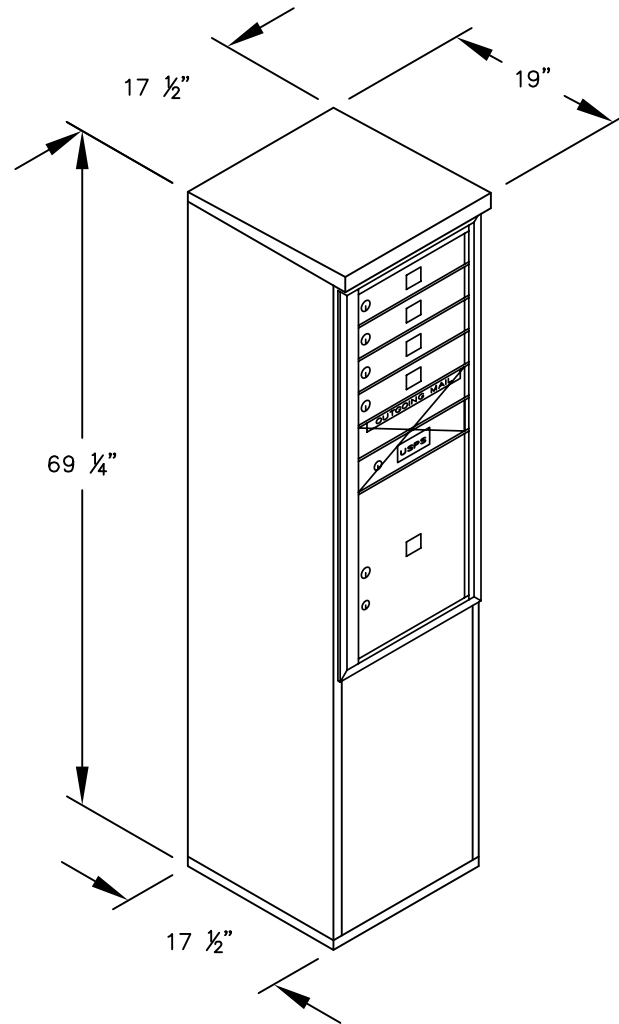
AVAILABLE COLORS:  
ALUMINUM, BRONZE, SANDSTONE OR BLACK

AVAILABLE FOR:  
USPS ACCESS OR PRIVATE ACCESS

DRAWN: 3/2020

***Established in 1936, Salsbury Industries is the industry leader in manufacturing and distributing quality mailboxes.***

18300 CENTRAL AVENUE  
CARSON, CA 90746-4008  
PHONE: (800) 624-5269  
FAX: (800) 624-5299  
email: [engineering@mailboxes.com](mailto:engineering@mailboxes.com)



MODEL #3911S-04 - FRONT LOADING

- (4) 'MB1' DOORS
- (1) 'OM2' OUTGOING MAIL COMPARTMENT
- (1) PL5 PARCEL LOCKER (17 1/4" H)

MODEL #3911S-04

4C HORIZONTAL MAILBOXES-FRONT LOADING

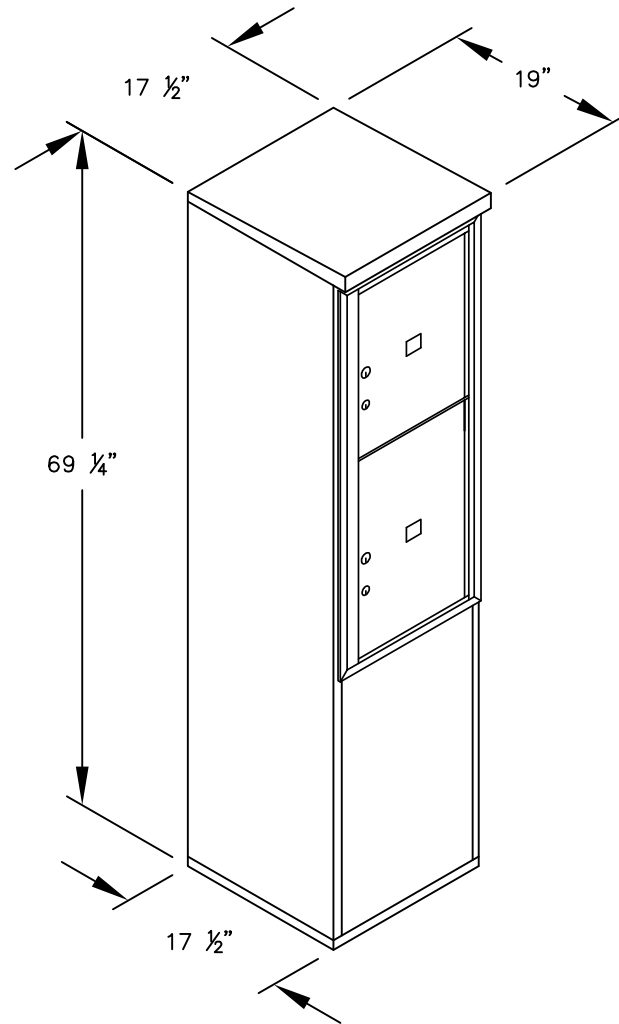
AVAILABLE COLORS:  
ALUMINUM, BRONZE, SANDSTONE OR BLACK

AVAILABLE FOR:  
USPS ACCESS OR PRIVATE ACCESS

DRAWN: 3/2020

***Established in 1936, Salsbury Industries is the industry leader in manufacturing and distributing quality mailboxes.***

18300 CENTRAL AVENUE  
CARSON, CA 90746-4008  
PHONE: (800) 624-5269  
FAX: (800) 624-5299  
email: [engineering@mailboxes.com](mailto:engineering@mailboxes.com)



MODEL #3911S-2P - FRONT LOADING

- (1) PL5 PARCEL LOCKER (17 1/4" H)
- (1) PL6 PARCEL LOCKER (20 3/4" H)

MODEL #3911S-2P

4C HORIZONTAL MAILBOXES-FRONT LOADING

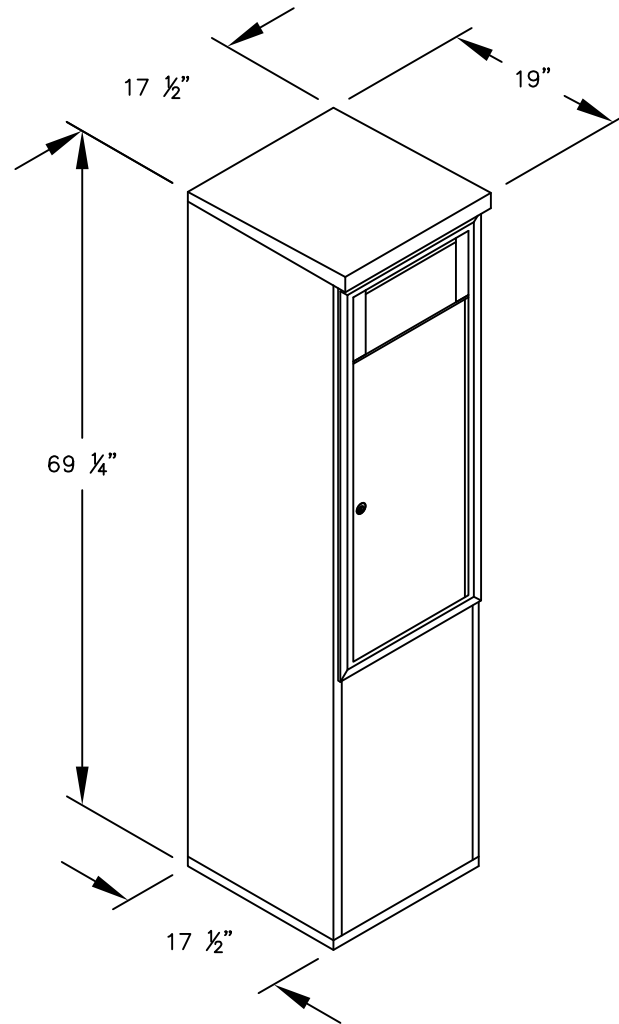
AVAILABLE COLORS:  
ALUMINUM, BRONZE, SANDSTONE OR BLACK

AVAILABLE FOR:  
USPS ACCESS OR PRIVATE ACCESS

DRAWN: 3/2020

***Established in 1936, Salsbury Industries is the industry leader in manufacturing and distributing quality mailboxes.***

18300 CENTRAL AVENUE  
CARSON, CA 90746-4008  
PHONE: (800) 624-5269  
FAX: (800) 624-5299  
email: [engineering@mailboxes.com](mailto:engineering@mailboxes.com)



MODEL #3911S-1B - FRONT LOADING

MODEL #3911S-1B

4C HORIZONTAL RECEPTACLE BIN -  
FRONT LOADING

AVAILABLE COLORS:  
ALUMINUM, BRONZE, SANDSTONE OR BLACK

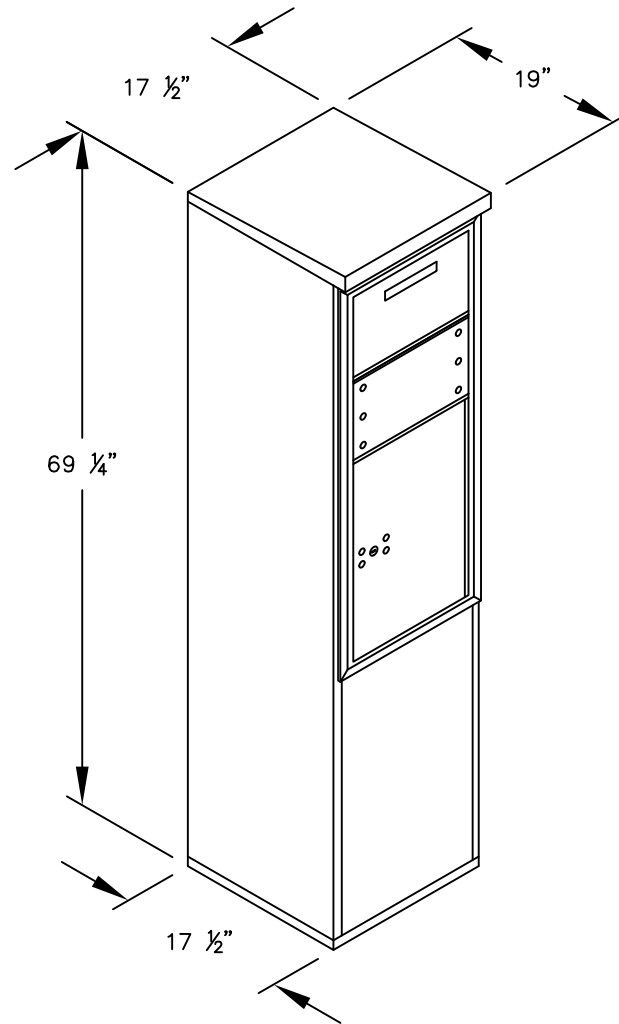
AVAILABLE FOR:  
PRIVATE ACCESS

DRAWN: 3/2020

*Established in 1936, Salsbury Industries is the industry  
leader in manufacturing and distributing quality mailboxes.*

18300 CENTRAL AVENUE  
CARSON, CA 90746-4008  
PHONE: (800) 624-5269  
FAX: (800) 624-5299  
email: [engineering@mailboxes.com](mailto:engineering@mailboxes.com)





MODEL #3911S-1C - FRONT LOADING

MODEL #3911S-1C

4C HORIZONTAL COLLECTION BOX-  
FRONT LOADING

AVAILABLE COLORS:  
ALUMINUM, BRONZE, SANDSTONE OR BLACK

AVAILABLE FOR:  
PRIVATE ACCESS

DRAWN: 3/2020

***Established in 1936, Salsbury Industries is the industry  
leader in manufacturing and distributing quality mailboxes.***

18300 CENTRAL AVENUE  
CARSON, CA 90746-4008  
PHONE: (800) 624-5269  
FAX: (800) 624-5299  
email: [engineering@mailboxes.com](mailto:engineering@mailboxes.com)