

MODEL #3910D - 10 - FRONT LOADING

- (10) 'MB1' DOORS
- (1) 'OM1.5' OUTGOING MAIL COMPARTMENT
- (1) PL4 PARCEL LOCKER (13 3/4" H)
- (1) PL4.5 PARCEL LOCKER (15 1/2" H)

MODEL #3910D-10

4C HORIZONTAL MAILBOXES-FRONT LOADING

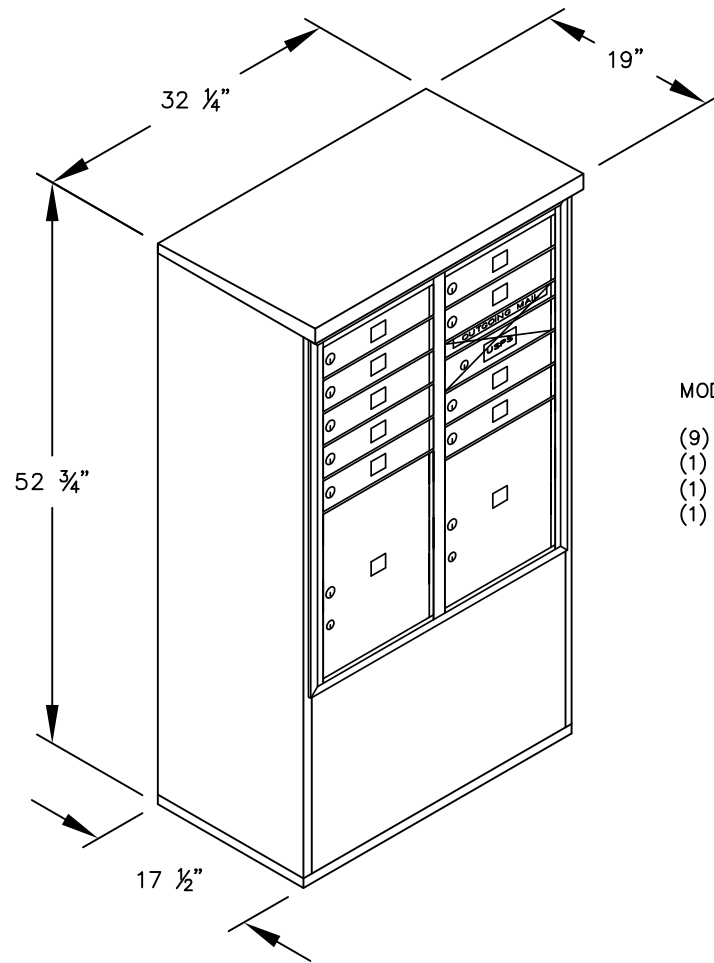
AVAILABLE COLORS:  
ALUMINUM, BRONZE, SANDSTONE OR BLACK

AVAILABLE FOR:  
USPS ACCESS OR PRIVATE ACCESS

DRAWN: 3/2020

***Established in 1936, Salsbury Industries is the industry leader in manufacturing and distributing quality mailboxes.***

18300 CENTRAL AVENUE  
CARSON, CA 90746-4008  
PHONE: (800) 624-5269  
FAX: (800) 624-5299  
email: [engineering@mailboxes.com](mailto:engineering@mailboxes.com)



MODEL #3910D-09 - FRONT LOADING

- (9) MB1 DOORS
- (1) 'OM1.5' OUTGOING MAIL COMPARTMENT
- (1) PL4.5 PARCEL LOCKER (15 1/2" H)
- (1) PL5 PARCEL LOCKER (17 1/4" H)

MODEL #3910D-09

4C HORIZONTAL MAILBOXES-FRONT LOADING

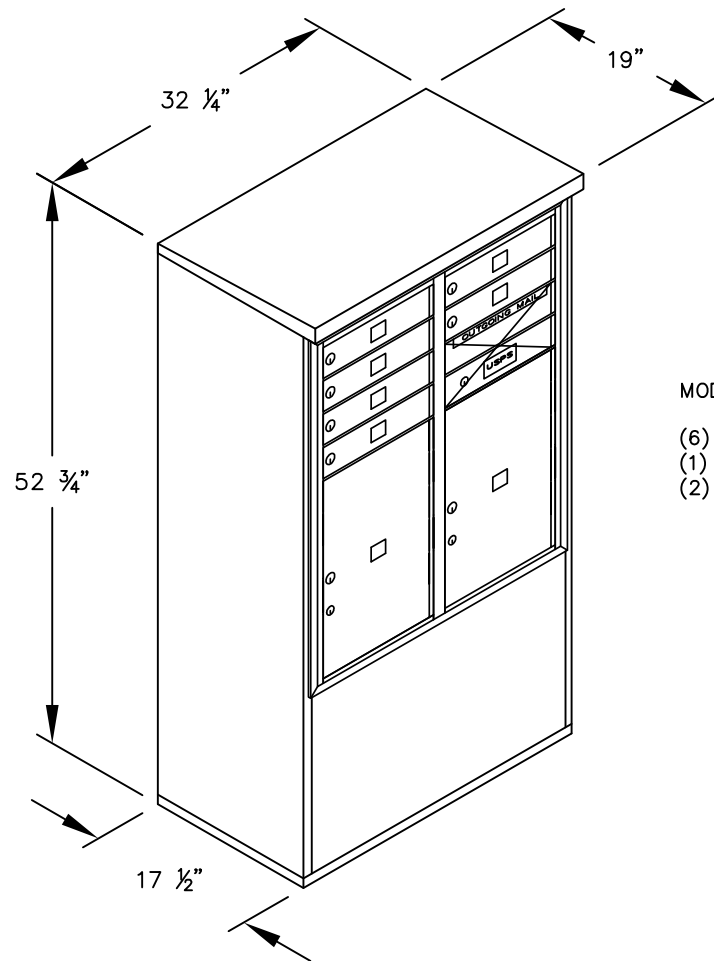
AVAILABLE COLORS:  
ALUMINUM, BRONZE, SANDSTONE OR BLACK

AVAILABLE FOR:  
USPS ACCESS OR PRIVATE ACCESS

DRAWN: 3/2020

***Established in 1936, Salsbury Industries is the industry leader in manufacturing and distributing quality mailboxes.***

18300 CENTRAL AVENUE  
CARSON, CA 90746-4008  
PHONE: (800) 624-5269  
FAX: (800) 624-5299  
email: [engineering@mailboxes.com](mailto:engineering@mailboxes.com)



MODEL #3910D-06 - FRONT LOADING

- (6) 'MB1' DOORS
- (1) 'OM2' OUTGOING MAIL COMPARTMENT
- (2) PL6 PARCEL LOCKERS (20 3/4" H)

MODEL #3910D-06

4C HORIZONTAL MAILBOXES-FRONT LOADING

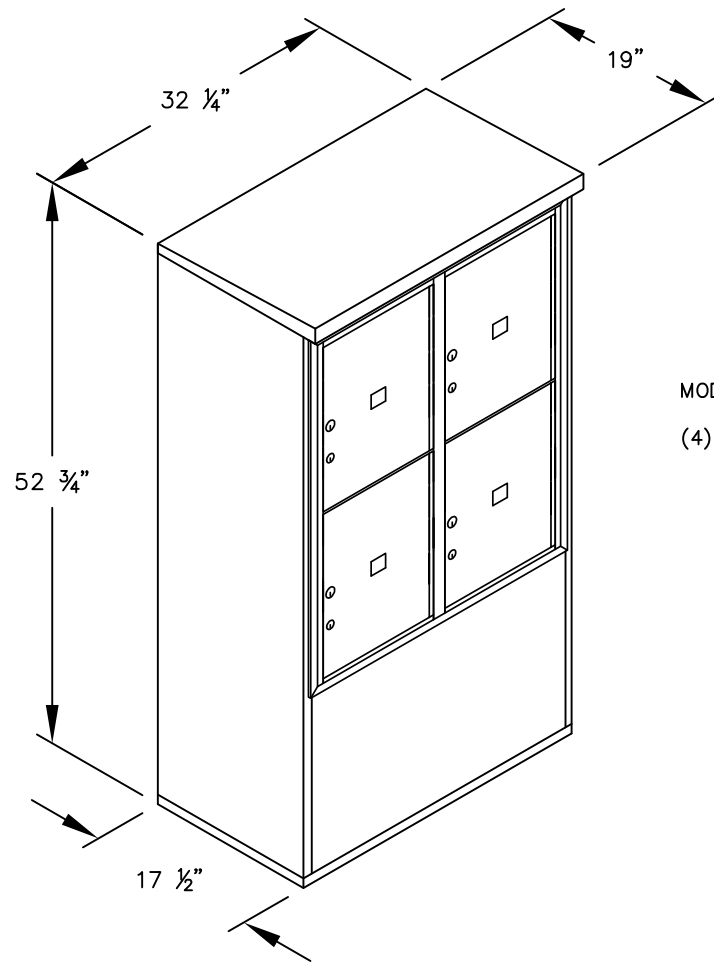
AVAILABLE COLORS:  
ALUMINUM, BRONZE, SANDSTONE OR BLACK

AVAILABLE FOR:  
USPS ACCESS OR PRIVATE ACCESS

DRAWN: 3/2020

***Established in 1936, Salsbury Industries is the industry leader in manufacturing and distributing quality mailboxes.***

18300 CENTRAL AVENUE  
CARSON, CA 90746-4008  
PHONE: (800) 624-5269  
FAX: (800) 624-5299  
email: [engineering@mailboxes.com](mailto:engineering@mailboxes.com)



MODEL #3910D-4P - FRONT LOADING

(4) PL5 PARCEL LOCKERS (17 1/4" H)

MODEL #3910D-4P

4C HORIZONTAL MAILBOXES-FRONT LOADING

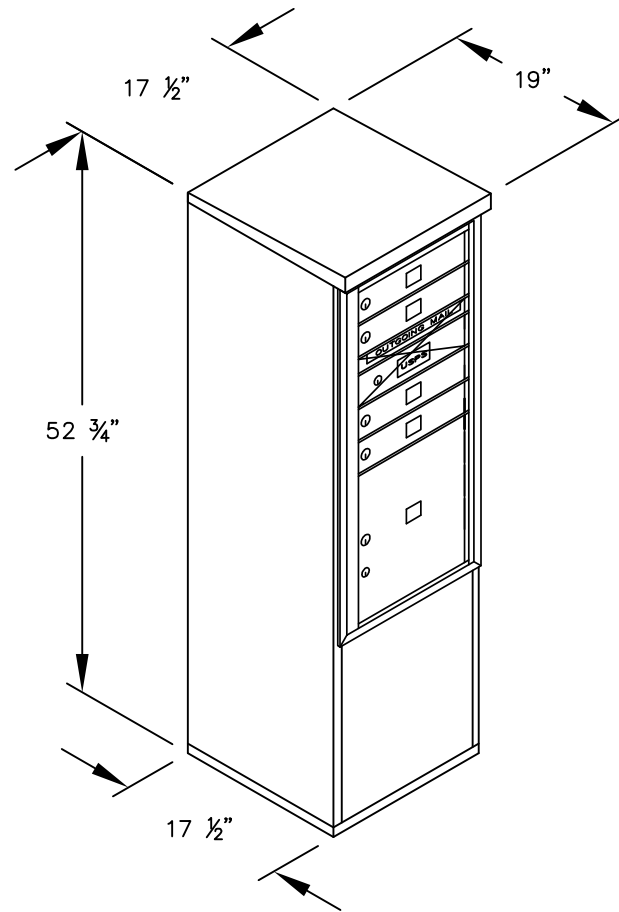
AVAILABLE COLORS:  
ALUMINUM, BRONZE, SANDSTONE OR BLACK

AVAILABLE FOR:  
USPS ACCESS OR PRIVATE ACCESS

DRAWN: 3/2020

***Established in 1936, Salsbury Industries is the industry leader in manufacturing and distributing quality mailboxes.***

18300 CENTRAL AVENUE  
CARSON, CA 90746-4008  
PHONE: (800) 624-5269  
FAX: (800) 624-5299  
email: [engineering@mailboxes.com](mailto:engineering@mailboxes.com)



MODEL #3910S-04 - FRONT LOADING

- (4) 'MB1' DOORS
- (1) 'OM1.5' OUTGOING MAIL COMPARTMENT
- (1) PL4.5 PARCEL LOCKER (15 1/2" H)

MODEL #3910S-04

4C HORIZONTAL MAILBOXES-FRONT LOADING

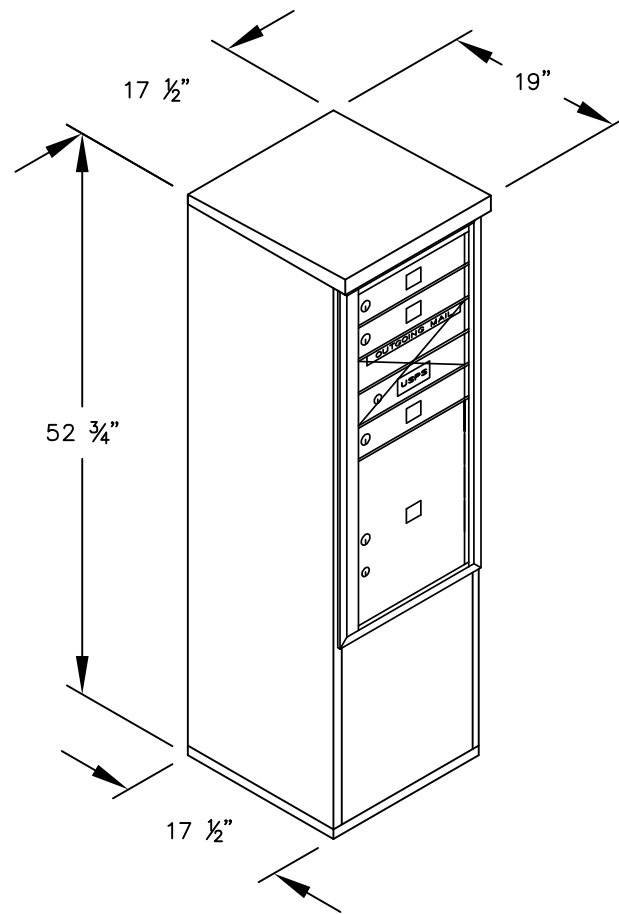
AVAILABLE COLORS:  
ALUMINUM, BRONZE, SANDSTONE OR BLACK

AVAILABLE FOR:  
USPS ACCESS OR PRIVATE ACCESS

DRAWN: 3/2020

***Established in 1936, Salsbury Industries is the industry leader in manufacturing and distributing quality mailboxes.***

18300 CENTRAL AVENUE  
CARSON, CA 90746-4008  
PHONE: (800) 624-5269  
FAX: (800) 624-5299  
email: [engineering@mailboxes.com](mailto:engineering@mailboxes.com)



MODEL #3910S-03 - FRONT LOADING

- (3) 'MB1' DOORS
- (1) 'OM2' OUTGOING MAIL COMPARTMENT
- (1) PL5 PARCEL LOCKER (17 1/4" H)

MODEL #3910S-03

4C HORIZONTAL MAILBOXES-FRONT LOADING

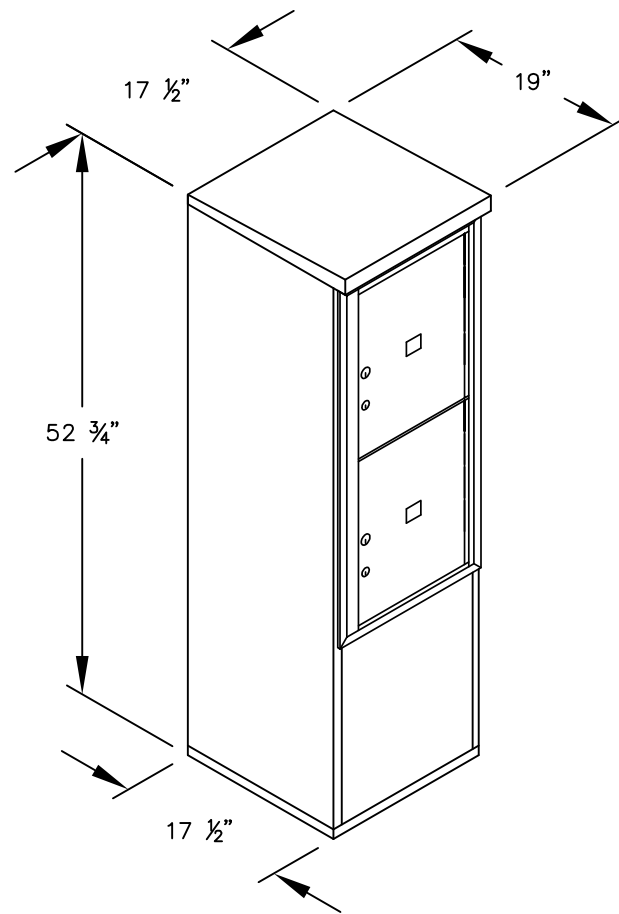
AVAILABLE COLORS:  
ALUMINUM, BRONZE, SANDSTONE OR BLACK

AVAILABLE FOR:  
USPS ACCESS OR PRIVATE ACCESS

DRAWN: 3/2020

*Established in 1936, Salsbury Industries is the industry leader in manufacturing and distributing quality mailboxes.*

18300 CENTRAL AVENUE  
CARSON, CA 90746-4008  
PHONE: (800) 624-5269  
FAX: (800) 624-5299  
email: [engineering@mailboxes.com](mailto:engineering@mailboxes.com)



MODEL #3910S-2P - FRONT LOADING  
(2) PL5 PARCEL LOCKERS (17 1/4" H)

MODEL #3910S-2P

4C HORIZONTAL MAILBOXES-FRONT LOADING

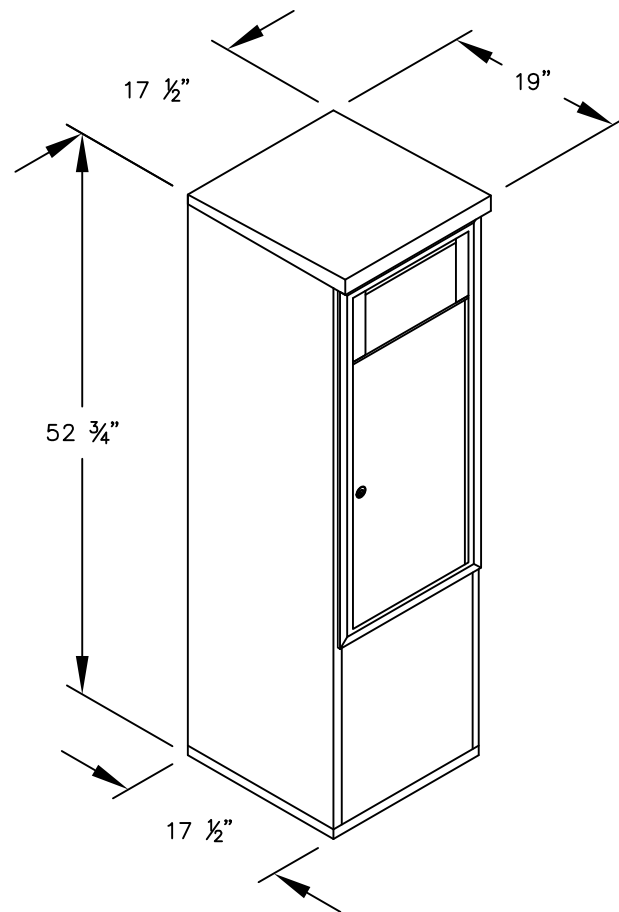
AVAILABLE COLORS:  
ALUMINUM, BRONZE, SANDSTONE OR BLACK

AVAILABLE FOR:  
USPS ACCESS OR PRIVATE ACCESS

DRAWN: 3/2020

***Established in 1936, Salsbury Industries is the industry leader in manufacturing and distributing quality mailboxes.***

18300 CENTRAL AVENUE  
CARSON, CA 90746-4008  
PHONE: (800) 624-5269  
FAX: (800) 624-5299  
email: [engineering@mailboxes.com](mailto:engineering@mailboxes.com)



MODEL #3910S-1B - FRONT LOADING

MODEL #3910S-1B

4C HORIZONTAL RECEPTACLE BIN -  
FRONT LOADING

AVAILABLE COLORS:  
ALUMINUM, BRONZE, SANDSTONE OR BLACK

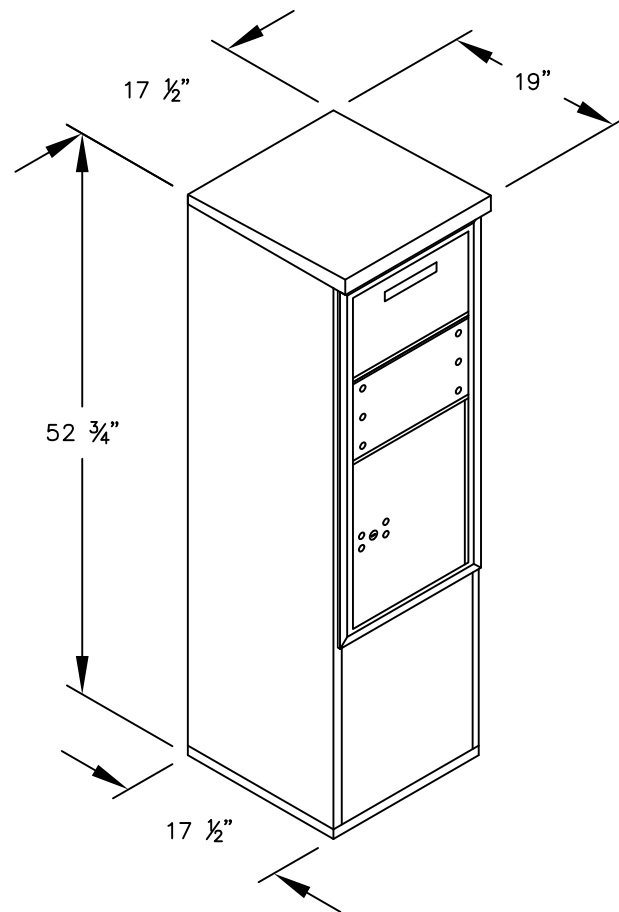
AVAILABLE FOR:  
PRIVATE ACCESS

DRAWN: 3/2020

*Established in 1936, Salsbury Industries is the industry  
leader in manufacturing and distributing quality mailboxes.*

18300 CENTRAL AVENUE  
CARSON, CA 90746-4008  
PHONE: (800) 624-5269  
FAX: (800) 624-5299  
email: [engineering@mailboxes.com](mailto:engineering@mailboxes.com)





MODEL #3910S-1C - FRONT LOADING

MODEL #3910S-1C

4C HORIZONTAL COLLECTION BOX-  
FRONT LOADING

AVAILABLE COLORS:  
ALUMINUM, BRONZE, SANDSTONE OR BLACK

AVAILABLE FOR:  
PRIVATE ACCESS

DRAWN: 3/2020

***Established in 1936, Salsbury Industries is the industry  
leader in manufacturing and distributing quality mailboxes.***

18300 CENTRAL AVENUE  
CARSON, CA 90746-4008  
PHONE: (800) 624-5269  
FAX: (800) 624-5299  
email: [engineering@mailboxes.com](mailto:engineering@mailboxes.com)