

MODEL #3806D-10 - FRONT LOADING

(10) 'MB1' DOORS

(1) 'OM2' OUTGOING MAIL COMPARTMENT

MODEL #3806D-10

4C HORIZONTAL MAILBOXES-FRONT LOADING

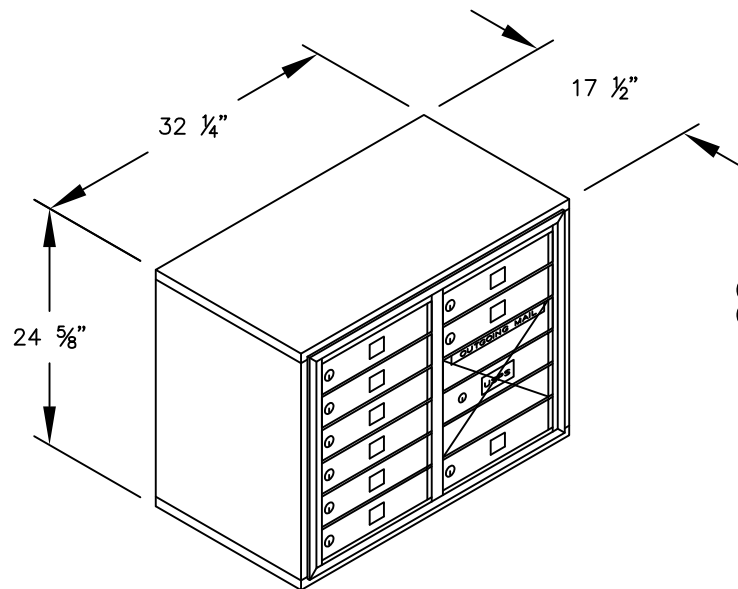
AVAILABLE COLORS:  
ALUMINUM, BRONZE, SANDSTONE OR BLACK

AVAILABLE FOR:  
USPS ACCESS OR PRIVATE ACCESS

DRAWN: 3/2020

***Established in 1936, Salsbury Industries is the industry leader in manufacturing and distributing quality mailboxes.***

18300 CENTRAL AVENUE  
CARSON, CA 90746-4008  
PHONE: (800) 624-5269  
FAX: (800) 624-5299  
email: [engineering@mailboxes.com](mailto:engineering@mailboxes.com)



MODEL #3806D-09 – FRONT LOADING

(9) 'MB1' DOORS

(1) 'OM3' OUTGOING MAIL COMPARTMENT

MODEL #3806D-09

4C HORIZONTAL MAILBOXES—FRONT LOADING

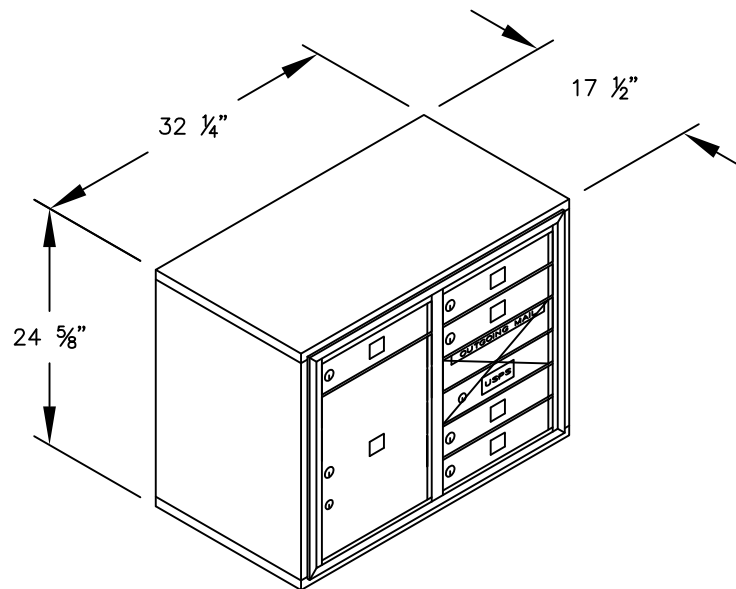
AVAILABLE COLORS:  
ALUMINUM, BRONZE, SANDSTONE OR BLACK

AVAILABLE FOR:  
USPS ACCESS OR PRIVATE ACCESS

DRAWN: 3/2020

*Established in 1936, Salsbury Industries is the industry leader in manufacturing and distributing quality mailboxes.*

18300 CENTRAL AVENUE  
CARSON, CA 90746-4008  
PHONE: (800) 624-5269  
FAX: (800) 624-5299  
email: [engineering@mailboxes.com](mailto:engineering@mailboxes.com)



MODEL #3806D-05 - FRONT LOADING

- (5) 'MB1' DOORS
- (1) 'OM2' OUTGOING MAIL COMPARTMENT
- (1) PL5 PARCEL LOCKER (17 1/4" H)

MODEL #3806D-05

4C HORIZONTAL MAILBOXES-FRONT LOADING

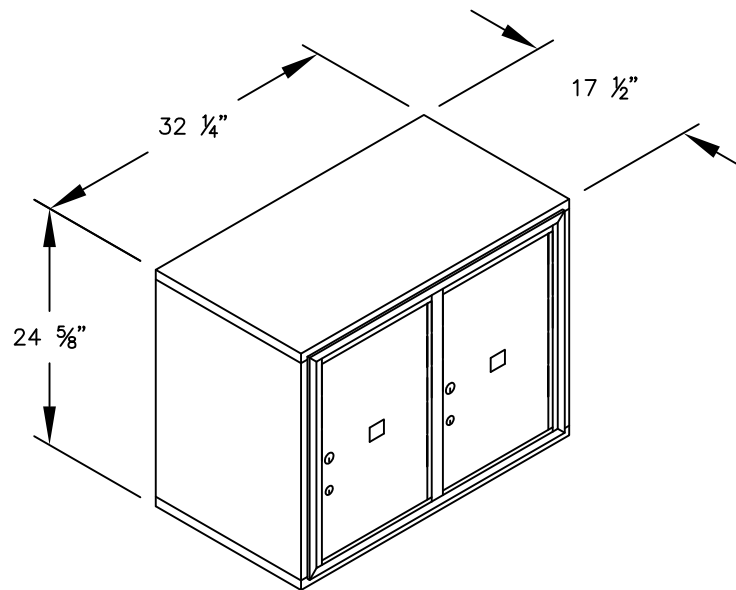
AVAILABLE COLORS:  
ALUMINUM, BRONZE, SANDSTONE OR BLACK

AVAILABLE FOR:  
USPS ACCESS OR PRIVATE ACCESS

DRAWN: 3/2020

***Established in 1936, Salsbury Industries is the industry leader in manufacturing and distributing quality mailboxes.***

18300 CENTRAL AVENUE  
CARSON, CA 90746-4008  
PHONE: (800) 624-5269  
FAX: (800) 624-5299  
email: [engineering@mailboxes.com](mailto:engineering@mailboxes.com)



MODEL #3806D-2P - FRONT LOADING  
(2) PL6 PARCEL LOCKERS (20 3/4" H)

MODEL #3806D-2P

4C HORIZONTAL MAILBOXES-FRONT LOADING

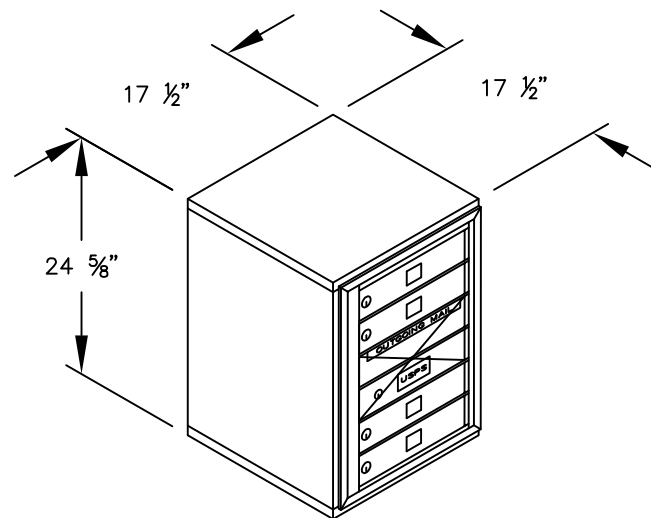
AVAILABLE COLORS:  
ALUMINUM, BRONZE, SANDSTONE OR BLACK

AVAILABLE FOR:  
USPS ACCESS OR PRIVATE ACCESS

DRAWN: 3/2020

*Established in 1936, Salsbury Industries is the industry leader in manufacturing and distributing quality mailboxes.*

18300 CENTRAL AVENUE  
CARSON, CA 90746-4008  
PHONE: (800) 624-5269  
FAX: (800) 624-5299  
email: [engineering@mailboxes.com](mailto:engineering@mailboxes.com)



MODEL #3806S-04 - FRONT LOADING

- (4) 'MB1' DOORS
- (1) 'OM2' OUTGOING MAIL COMPARTMENT

MODEL #3806S-04

4C HORIZONTAL MAILBOXES-FRONT LOADING

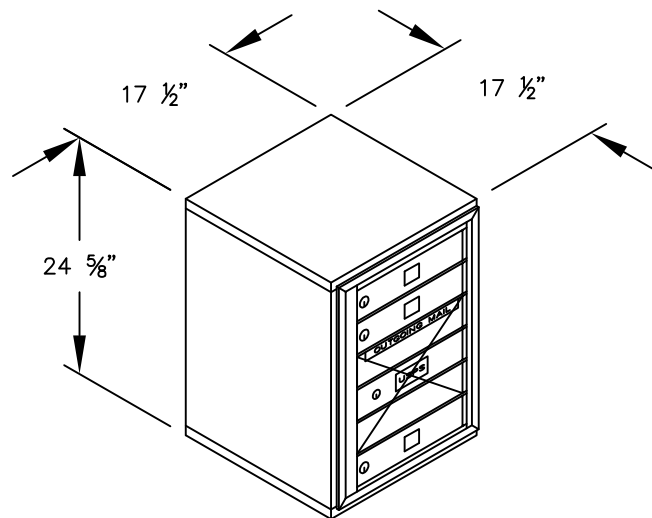
AVAILABLE COLORS:  
ALUMINUM, BRONZE, SANDSTONE OR BLACK

AVAILABLE FOR:  
USPS ACCESS OR PRIVATE ACCESS

DRAWN: 3/2020

***Established in 1936, Salsbury Industries is the industry leader in manufacturing and distributing quality mailboxes.***

18300 CENTRAL AVENUE  
CARSON, CA 90746-4008  
PHONE: (800) 624-5269  
FAX: (800) 624-5299  
email: [engineering@mailboxes.com](mailto:engineering@mailboxes.com)



MODEL #3806S-03 - FRONT LOADING

(3) 'MB1' DOORS

(1) 'OM3' OUTGOING MAIL COMPARTMENT

MODEL #3806S-03

4C HORIZONTAL MAILBOXES-FRONT LOADING

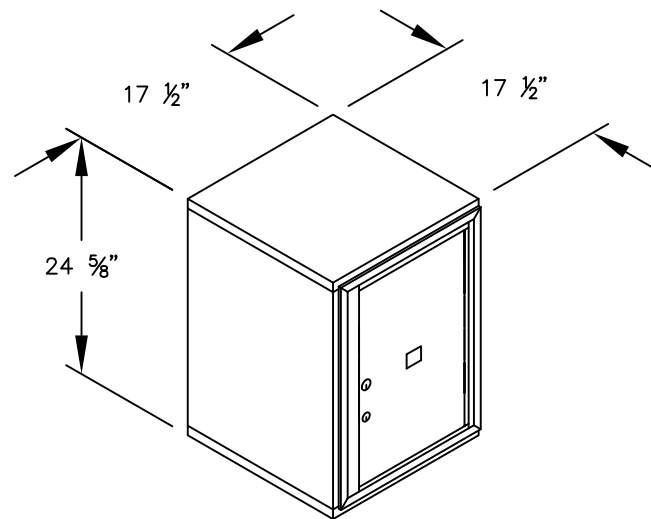
AVAILABLE COLORS:  
ALUMINUM, BRONZE, SANDSTONE OR BLACK

AVAILABLE FOR:  
USPS ACCESS OR PRIVATE ACCESS

DRAWN: 3/2020

***Established in 1936, Salsbury Industries is the industry leader in manufacturing and distributing quality mailboxes.***

18300 CENTRAL AVENUE  
CARSON, CA 90746-4008  
PHONE: (800) 624-5269  
FAX: (800) 624-5299  
email: [engineering@mailboxes.com](mailto:engineering@mailboxes.com)



MODEL #3806S-1P - FRONT LOADING

(1) PL6 PARCEL LOCKER (20 3/4" H)

MODEL #3806S-1P

4C HORIZONTAL MAILBOXES-FRONT LOADING

AVAILABLE COLORS:  
ALUMINUM, BRONZE, SANDSTONE OR BLACK

AVAILABLE FOR:  
USPS ACCESS OR PRIVATE ACCESS

DRAWN: 3/2020

***Established in 1936, Salsbury Industries is the industry leader in manufacturing and distributing quality mailboxes.***

18300 CENTRAL AVENUE  
CARSON, CA 90746-4008  
PHONE: (800) 624-5269  
FAX: (800) 624-5299  
email: [engineering@mailboxes.com](mailto:engineering@mailboxes.com)