

MODEL #3811D-20 - FRONT LOADING

(20) 'MB1' DOORS

(1) 'OM2' OUTGOING MAIL COMPARTMENT

MODEL #3811D-20

4C HORIZONTAL MAILBOXES-FRONT LOADING

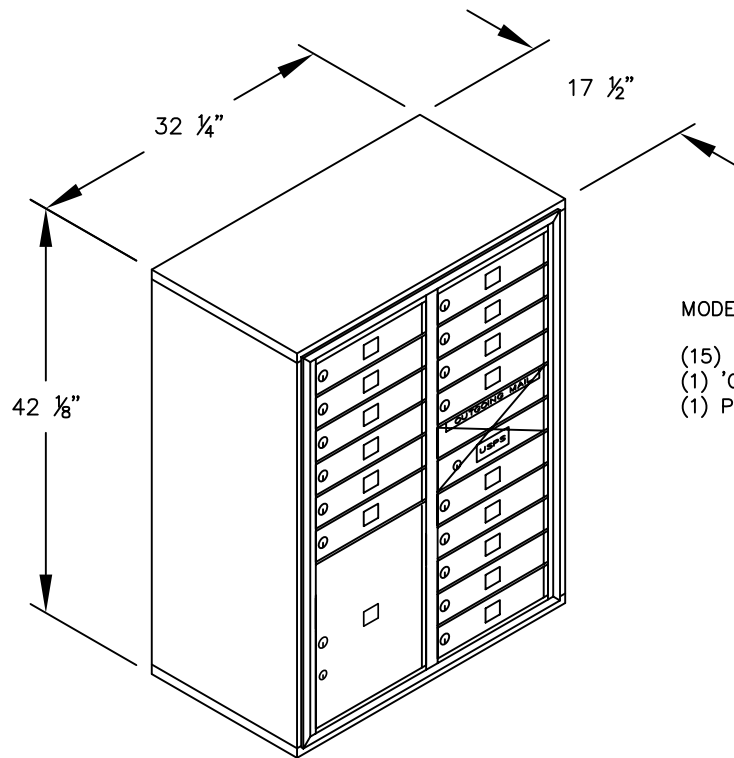
AVAILABLE COLORS:
ALUMINUM, BRONZE, SANDSTONE OR BLACK

AVAILABLE FOR:
USPS ACCESS OR PRIVATE ACCESS

DRAWN: 3/2020

Established in 1936, Salsbury Industries is the industry leader in manufacturing and distributing quality mailboxes.

18300 CENTRAL AVENUE
CARSON, CA 90746-4008
PHONE: (800) 624-5269
FAX: (800) 624-5299
email: engineering@mailboxes.com



MODEL #3811D-15 - FRONT LOADING

- (15) 'MB1' DOORS
- (1) 'OM2' OUTGOING MAIL COMPARTMENT
- (1) PL5 PARCEL LOCKER (17 1/4" H)

MODEL #3811D-15

4C HORIZONTAL MAILBOXES-FRONT LOADING

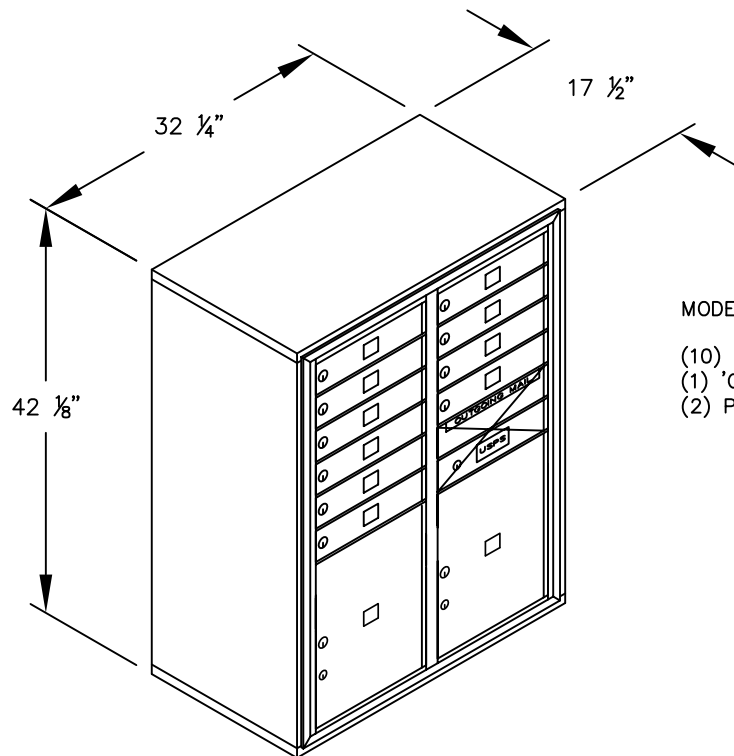
AVAILABLE COLORS:
ALUMINUM, BRONZE, SANDSTONE OR BLACK

AVAILABLE FOR:
USPS ACCESS OR PRIVATE ACCESS

DRAWN: 3/2020

Established in 1936, Salsbury Industries is the industry leader in manufacturing and distributing quality mailboxes.

18300 CENTRAL AVENUE
CARSON, CA 90746-4008
PHONE: (800) 624-5269
FAX: (800) 624-5299
email: engineering@mailboxes.com



MODEL #3811D-10 - FRONT LOADING

- (10) 'MB1' DOORS
- (1) 'OM2' OUTGOING MAIL COMPARTMENT
- (2) PL5 PARCEL LOCKERS (17 1/4" H)

MODEL #3811D-10

4C HORIZONTAL MAILBOXES-FRONT LOADING

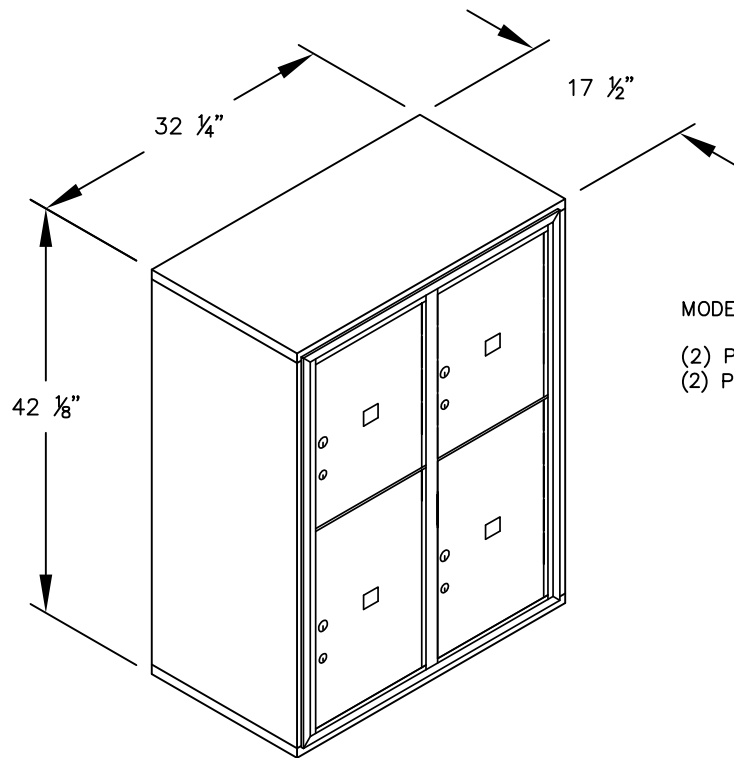
AVAILABLE COLORS:
ALUMINUM, BRONZE, SANDSTONE OR BLACK

AVAILABLE FOR:
USPS ACCESS OR PRIVATE ACCESS

DRAWN: 3/2020

Established in 1936, Salsbury Industries is the industry leader in manufacturing and distributing quality mailboxes.

18300 CENTRAL AVENUE
CARSON, CA 90746-4008
PHONE: (800) 624-5269
FAX: (800) 624-5299
email: engineering@mailboxes.com



MODEL #3811D-4P - FRONT LOADING

(2) PL5 PARCEL LOCKERS (17 1/4" H)
(2) PL6 PARCEL LOCKERS (20 3/4" H)

MODEL #3811D-4P

4C HORIZONTAL MAILBOXES-FRONT LOADING

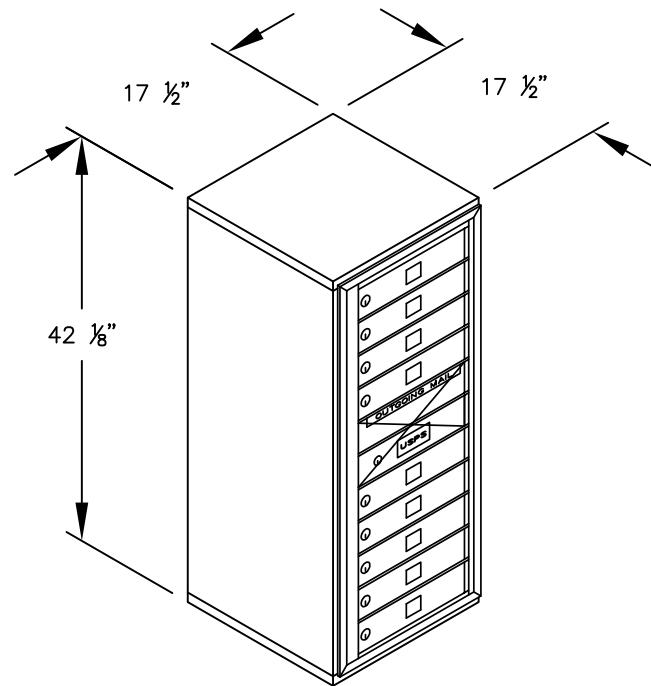
AVAILABLE COLORS:
ALUMINUM, BRONZE, SANDSTONE OR BLACK

AVAILABLE FOR:
USPS ACCESS OR PRIVATE ACCESS

DRAWN: 3/2020

Established in 1936, Salsbury Industries is the industry leader in manufacturing and distributing quality mailboxes.

18300 CENTRAL AVENUE
CARSON, CA 90746-4008
PHONE: (800) 624-5269
FAX: (800) 624-5299
email: engineering@mailboxes.com



MODEL #3811S-09 – FRONT LOADING

(9) 'MB1' DOORS
 (1) 'OM2' OUTGOING MAIL COMPARTMENT

MODEL #3811S-09

4C HORIZONTAL MAILBOXES—FRONT LOADING

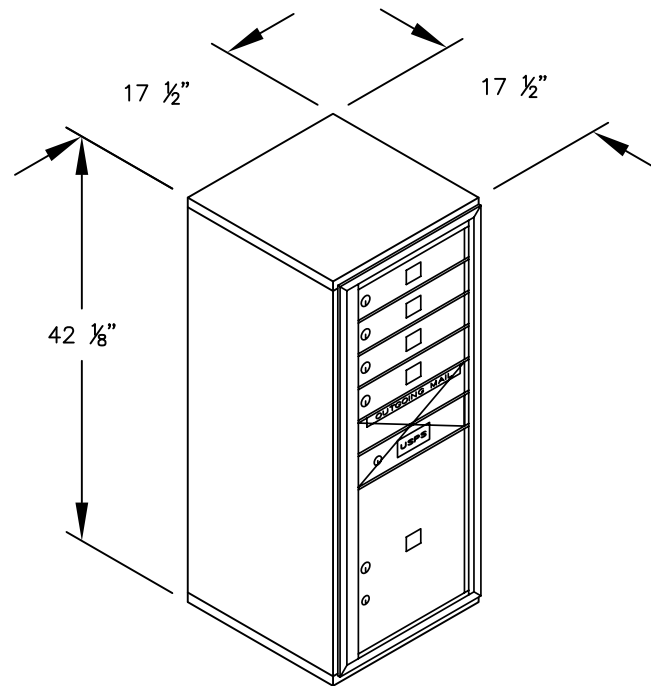
AVAILABLE COLORS:
 ALUMINUM, BRONZE, SANDSTONE OR BLACK

AVAILABLE FOR:
 USPS ACCESS OR PRIVATE ACCESS

DRAWN: 3/2020

Established in 1936, Salsbury Industries is the industry leader in manufacturing and distributing quality mailboxes.

18300 CENTRAL AVENUE
 CARSON, CA 90746-4008
 PHONE: (800) 624-5269
 FAX: (800) 624-5299
 email: engineering@mailboxes.com



MODEL #3811S-04 - FRONT LOADING

- (4) 'MB1' DOORS
- (1) 'OM2' OUTGOING MAIL COMPARTMENT
- (1) PL5 PARCEL LOCKER (17 1/4" H)

MODEL #3811S-04

4C HORIZONTAL MAILBOXES-FRONT LOADING

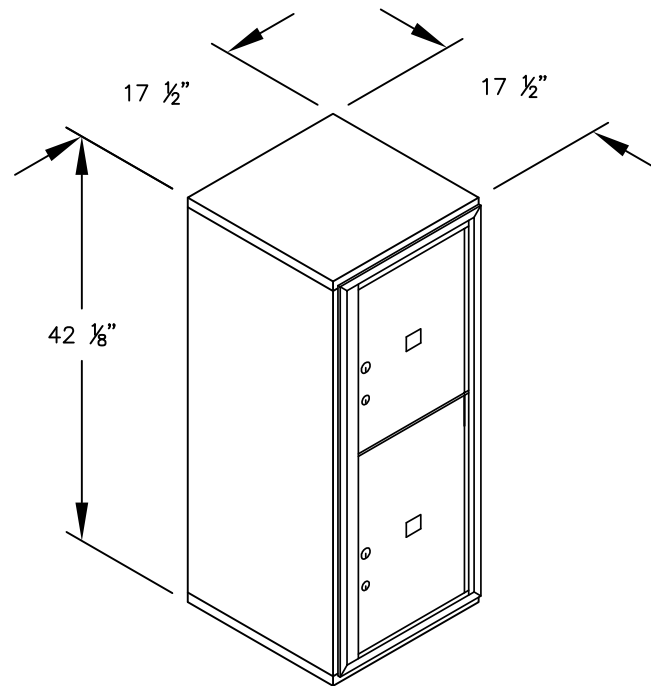
AVAILABLE COLORS:
ALUMINUM, BRONZE, SANDSTONE OR BLACK

AVAILABLE FOR:
USPS ACCESS OR PRIVATE ACCESS

DRAWN: 3/2020

Established in 1936, Salsbury Industries is the industry leader in manufacturing and distributing quality mailboxes.

18300 CENTRAL AVENUE
CARSON, CA 90746-4008
PHONE: (800) 624-5269
FAX: (800) 624-5299
email: engineering@mailboxes.com



MODEL #3811S-2P - FRONT LOADING

- (1) 'PL5' PARCEL LOCKER (17 1/4" H)
- (1) 'PL6' PARCEL LOCKER (20 3/4" H)

MODEL #3811S-2P

4C HORIZONTAL MAILBOXES-FRONT LOADING

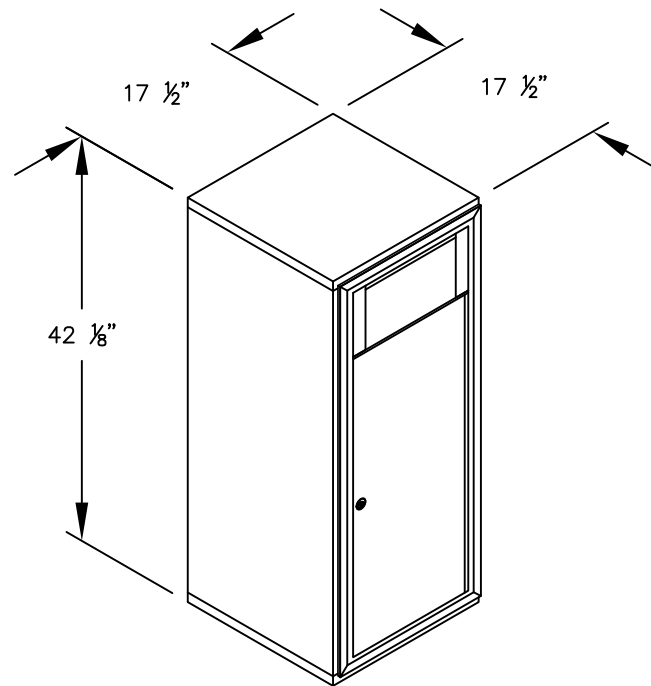
AVAILABLE COLORS:
ALUMINUM, BRONZE, SANDSTONE OR BLACK

AVAILABLE FOR:
USPS ACCESS OR PRIVATE ACCESS

DRAWN: 3/2020

Established in 1936, Salsbury Industries is the industry leader in manufacturing and distributing quality mailboxes.

18300 CENTRAL AVENUE
CARSON, CA 90746-4008
PHONE: (800) 624-5269
FAX: (800) 624-5299
email: engineering@mailboxes.com



MODEL #3811S-1B - FRONT LOADING

MODEL #3811S-1B

4C HORIZONTAL RECEPTACLE BIN -
FRONT LOADING

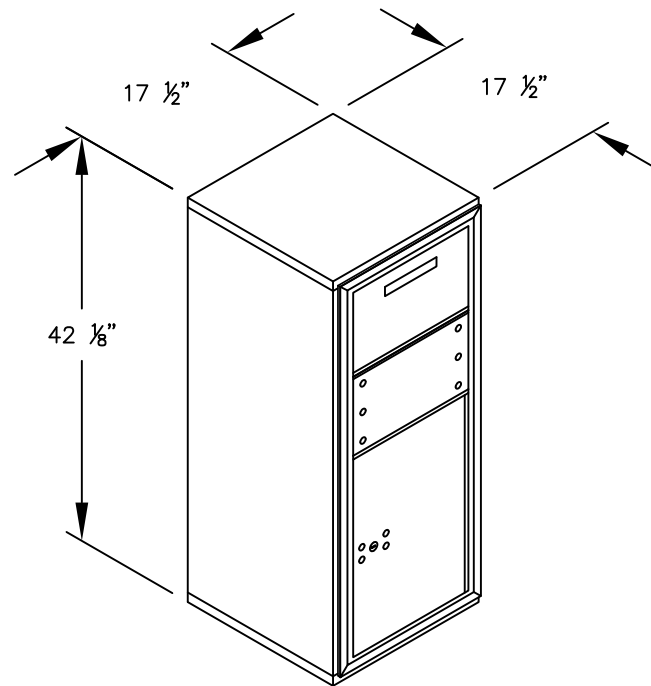
AVAILABLE COLORS:
ALUMINUM, BRONZE, SANDSTONE OR BLACK

AVAILABLE FOR:
PRIVATE ACCESS

DRAWN: 3/2020

***Established in 1936, Salsbury Industries is the industry
leader in manufacturing and distributing quality mailboxes.***

18300 CENTRAL AVENUE
CARSON, CA 90746-4008
PHONE: (800) 624-5269
FAX: (800) 624-5299
email: engineering@mailboxes.com



MODEL #3811S-1C - FRONT LOADING

MODEL #3811S-1C

4C HORIZONTAL COLLECTION BOX-
FRONT LOADING

AVAILABLE COLORS:
ALUMINUM, BRONZE, SANDSTONE OR BLACK

AVAILABLE FOR:
PRIVATE ACCESS

DRAWN: 3/2020

***Established in 1936, Salsbury Industries is the industry
leader in manufacturing and distributing quality mailboxes.***

18300 CENTRAL AVENUE
CARSON, CA 90746-4008
PHONE: (800) 624-5269
FAX: (800) 624-5299
email: engineering@mailboxes.com