

MODEL #3706D-10

4C HORIZONTAL MAILBOXES-REAR LOADING

AVAILABLE COLORS:  
ALUMINUM, BRONZE, SANDSTONE OR BLACK

AVAILABLE FOR:  
USPS ACCESS OR PRIVATE ACCESS

DRAWN: 3/2020

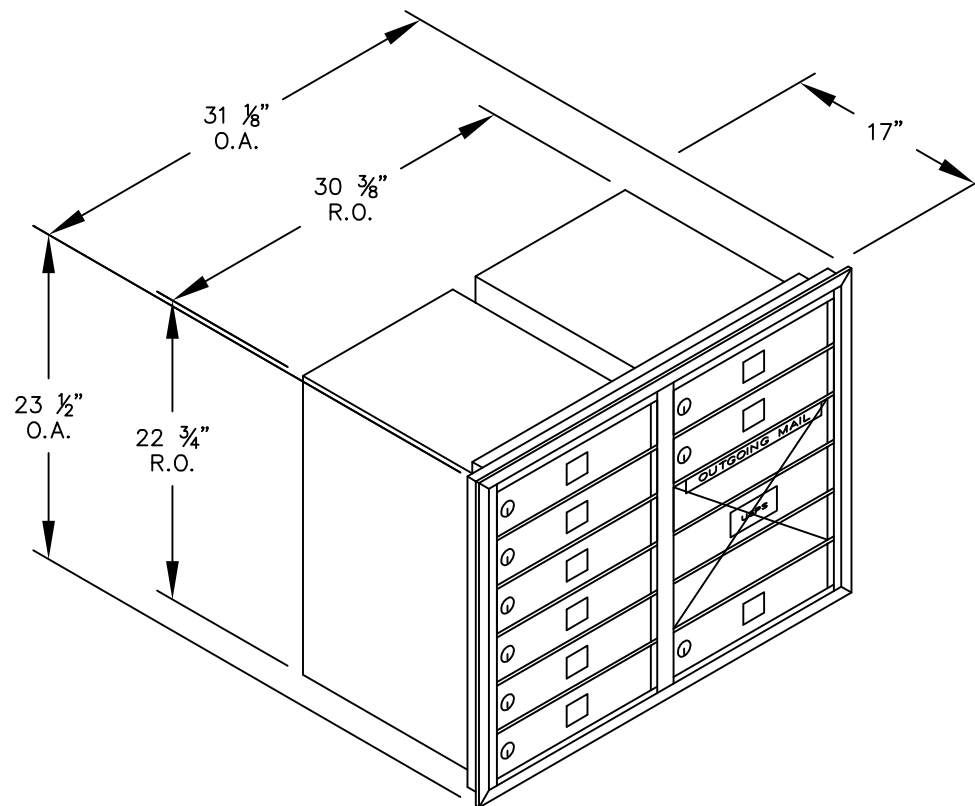
***Established in 1936, Salsbury Industries is the industry leader in manufacturing and distributing quality mailboxes.***

18300 CENTRAL AVENUE  
CARSON, CA 90746-4008

PHONE: (800) 624-5269

FAX: (800) 624-5299

email: [engineering@mailboxes.com](mailto:engineering@mailboxes.com)



- (1) 3706D-09 – REAR LOADING
- (9) 'MB1' DOORS
- (1) 'OM3' OUTGOING MAIL COMPARTMENT

**MODEL #3706D-09**

4C HORIZONTAL MAILBOXES-REAR LOADING

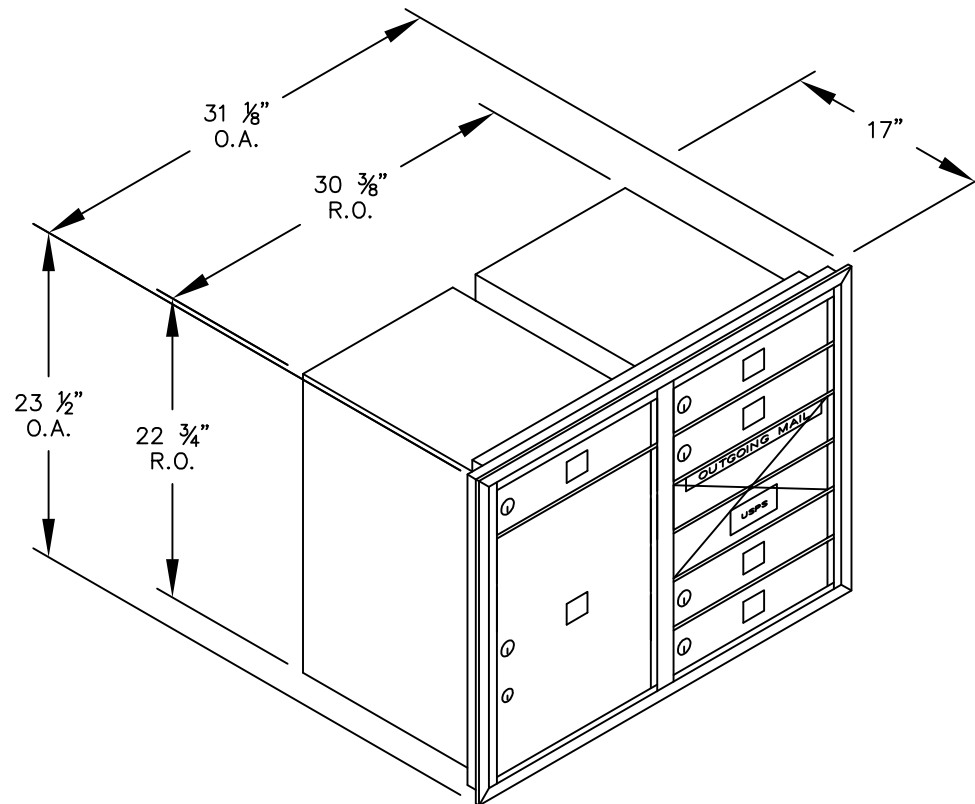
AVAILABLE COLORS:  
ALUMINUM, BRONZE, SANDSTONE OR BLACK

AVAILABLE FOR:  
USPS ACCESS OR PRIVATE ACCESS

DRAWN: 3/2020

***Established in 1936, Salsbury Industries is the industry leader in manufacturing and distributing quality mailboxes.***

18300 CENTRAL AVENUE  
CARSON, CA 90746-4008  
PHONE: (800) 624-5269  
FAX: (800) 624-5299  
email: [engineering@mailboxes.com](mailto:engineering@mailboxes.com)



## MODEL #3706D-05

4C HORIZONTAL MAILBOXES-REAR LOADING

AVAILABLE COLORS:  
ALUMINUM, BRONZE, SANDSTONE OR BLACK

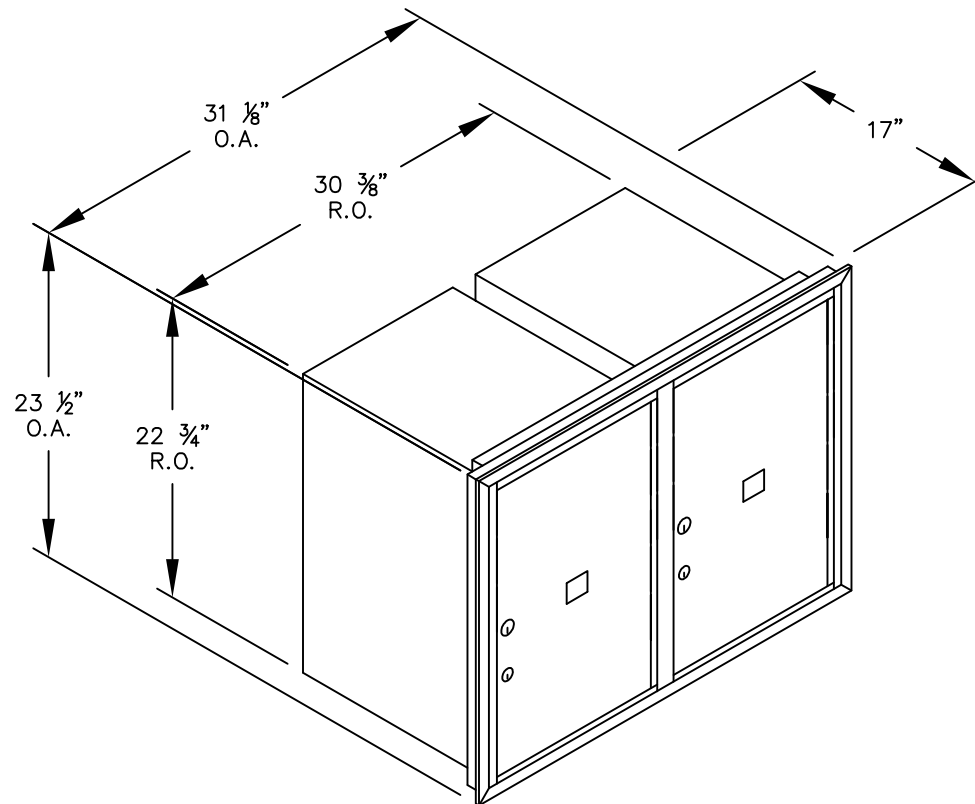
AVAILABLE FOR:  
USPS ACCESS OR PRIVATE ACCESS

DRAWN: 3/2020

***Established in 1936, Salsbury Industries is the industry leader in manufacturing and distributing quality mailboxes.***

18300 CENTRAL AVENUE  
CARSON, CA 90746-4008  
PHONE: (800) 624-5269  
FAX: (800) 624-5299

email: [engineering@mailboxes.com](mailto:engineering@mailboxes.com)



- (1) 3706D-2P - REAR LOADING
- (2) PL6 PARCEL LOCKERS (20  $\frac{3}{4}$ " H)

**MODEL #3706D-2P**

4C HORIZONTAL MAILBOXES-REAR LOADING

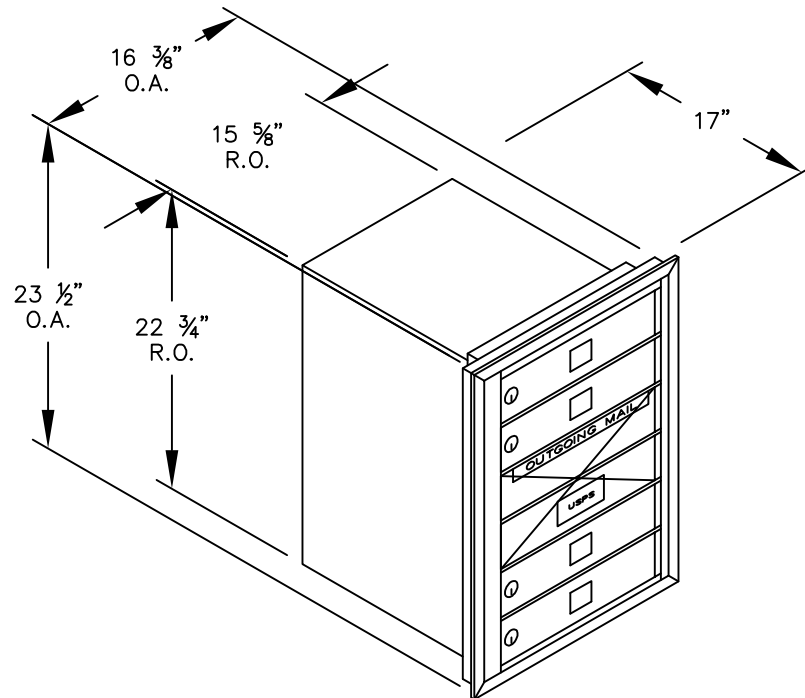
AVAILABLE COLORS:  
ALUMINUM, BRONZE, SANDSTONE OR BLACK

AVAILABLE FOR:  
USPS ACCESS OR PRIVATE ACCESS

DRAWN: 3/2020

***Established in 1936, Salsbury Industries is the industry leader in manufacturing and distributing quality mailboxes.***

18300 CENTRAL AVENUE  
CARSON, CA 90746-4008  
PHONE: (800) 624-5269  
FAX: (800) 624-5299  
email: [engineering@mailboxes.com](mailto:engineering@mailboxes.com)



(1) 3706S-04 – REAR LOADING

(4) 'MB1' DOORS

(1) 'OM2' OUTGOING MAIL COMPARTMENT

MODEL #3706S-04

4C HORIZONTAL MAILBOXES-REAR LOADING

AVAILABLE COLORS:  
ALUMINUM, BRONZE, SANDSTONE OR BLACK

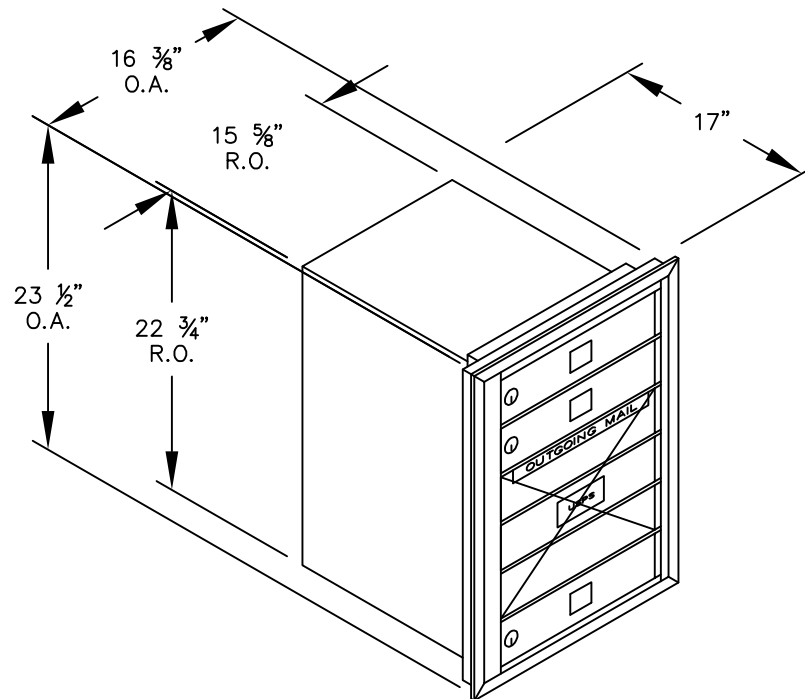
AVAILABLE FOR:  
USPS ACCESS OR PRIVATE ACCESS

DRAWN: 3/2020

*Established in 1936, Salsbury Industries is the industry leader in manufacturing and distributing quality mailboxes.*

18300 CENTRAL AVENUE  
CARSON, CA 90746-4008  
PHONE: (800) 624-5269  
FAX: (800) 624-5299

email: [engineering@mailboxes.com](mailto:engineering@mailboxes.com)



(1) 3706S-03 - REAR LOADING

(3) 'MB1' DOORS

(1) 'OM3' OUTGOING MAIL COMPARTMENT

MODEL #3706S-03

4C HORIZONTAL MAILBOXES-REAR LOADING

AVAILABLE COLORS:  
ALUMINUM, BRONZE, SANDSTONE OR BLACK

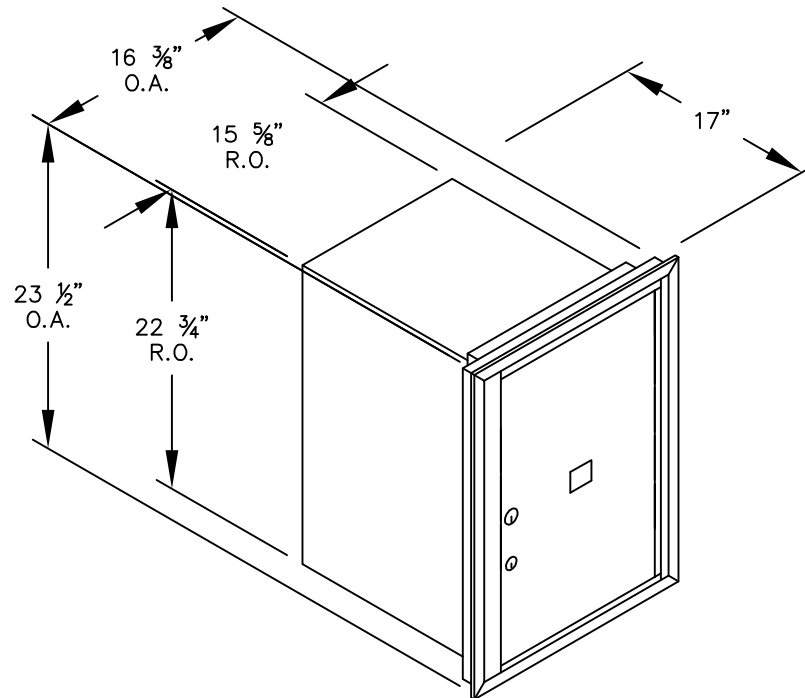
AVAILABLE FOR:  
USPS ACCESS OR PRIVATE ACCESS

DRAWN: 3/2020

*Established in 1936, Salsbury Industries is the industry leader in manufacturing and distributing quality mailboxes.*

18300 CENTRAL AVENUE  
CARSON, CA 90746-4008  
PHONE: (800) 624-5269  
FAX: (800) 624-5299

email: [engineering@mailboxes.com](mailto:engineering@mailboxes.com)



(1) 3706S-1P – REAR LOADING

(1) PL6 PARCEL LOCKER (20 3/4" H)

MODEL #3706S-1P

4C HORIZONTAL MAILBOXES-REAR LOADING

AVAILABLE COLORS:  
ALUMINUM, BRONZE, SANDSTONE OR BLACK

AVAILABLE FOR:  
USPS ACCESS OR PRIVATE ACCESS

DRAWN: 3/2020

***Established in 1936, Salsbury Industries is the industry leader in manufacturing and distributing quality mailboxes.***

18300 CENTRAL AVENUE  
CARSON, CA 90746-4008  
PHONE: (800) 624-5269  
FAX: (800) 624-5299  
email: [engineering@mailboxes.com](mailto:engineering@mailboxes.com)