

- (1) 3711D-20 – REAR LOADING
- (20) 'MB1' DOORS
- (1) 'OM2' OUTGOING MAIL COMPARTMENT

MODEL #3711D-20

4C HORIZONTAL MAILBOXES-REAR LOADING

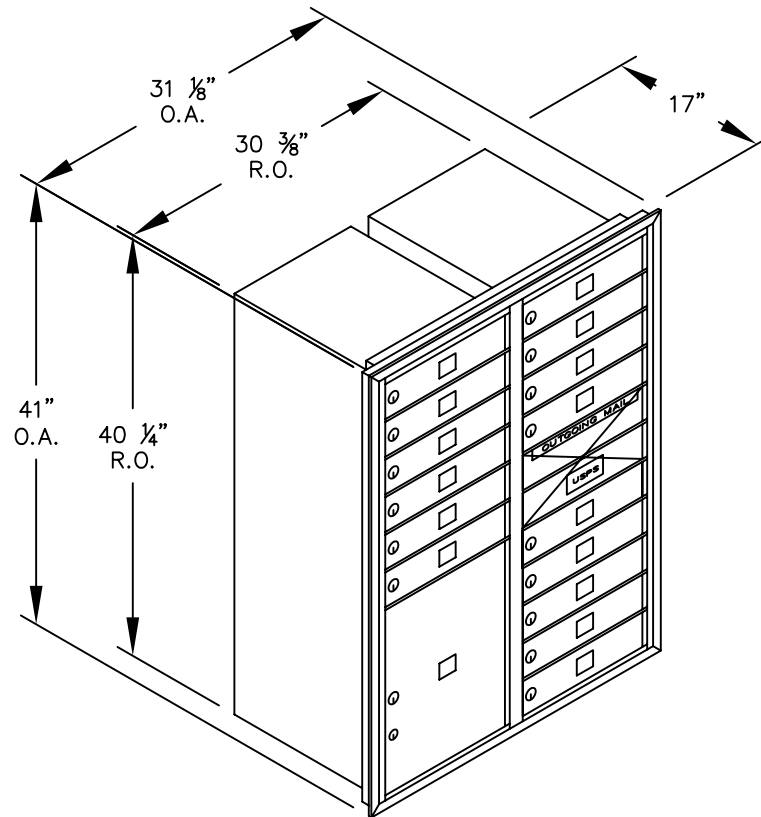
AVAILABLE COLORS:
ALUMINUM, BRONZE, SANDSTONE OR BLACK

AVAILABLE FOR:
USPS ACCESS OR PRIVATE ACCESS

DRAWN: 3/2020

Established in 1936, Salsbury Industries is the industry leader in manufacturing and distributing quality mailboxes.

18300 CENTRAL AVENUE
CARSON, CA 90746-4008
PHONE: (800) 624-5269
FAX: (800) 624-5299
email: engineering@mailboxes.com



- (1) 3711D-15 - REAR LOADING
- (15) 'MB1' DOORS
- (1) 'OM2' OUTGOING MAIL COMPARTMENT
- (1) PL5 PARCEL LOCKER (17 1/4" H)

MODEL #3711D-15

4C HORIZONTAL MAILBOXES-REAR LOADING

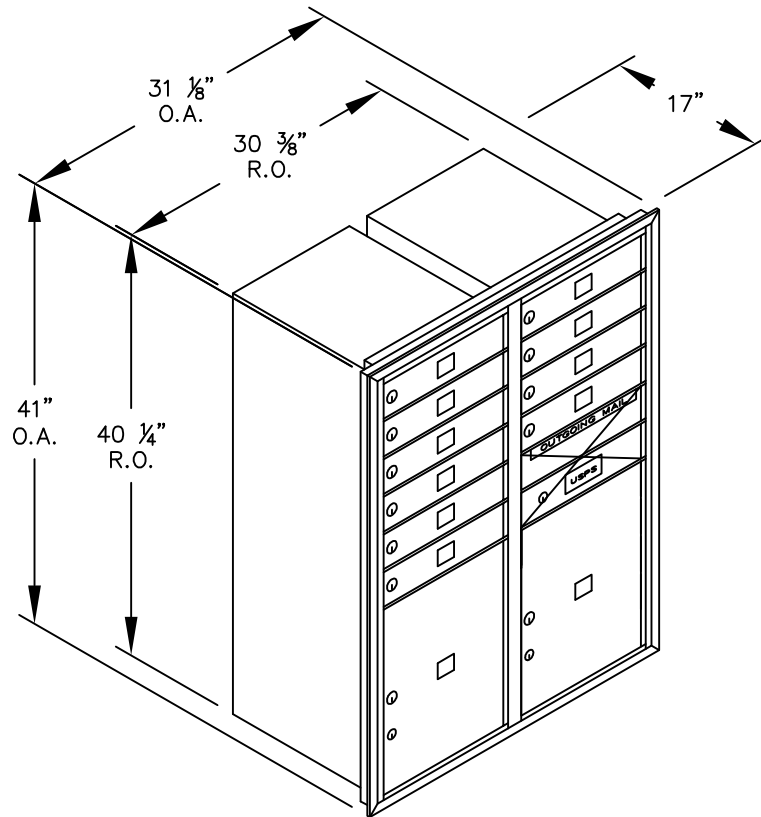
AVAILABLE COLORS:
ALUMINUM, BRONZE, SANDSTONE OR BLACK

AVAILABLE FOR:
USPS ACCESS OR PRIVATE ACCESS

DRAWN: 3/2020

Established in 1936, Salsbury Industries is the industry leader in manufacturing and distributing quality mailboxes.

18300 CENTRAL AVENUE
CARSON, CA 90746-4008
PHONE: (800) 624-5269
FAX: (800) 624-5299
email: engineering@mailboxes.com



- (1) 3711D-10 – REAR LOADING
- (10) 'MB1' DOORS
- (1) 'OM2' OUTGOING MAIL COMPARTMENT
- (2) PL5 PARCEL LOCKERS (17 1/4" H)

MODEL #3711D-10

4C HORIZONTAL MAILBOXES-REAR LOADING

AVAILABLE COLORS:
ALUMINUM, BRONZE, SANDSTONE OR BLACK

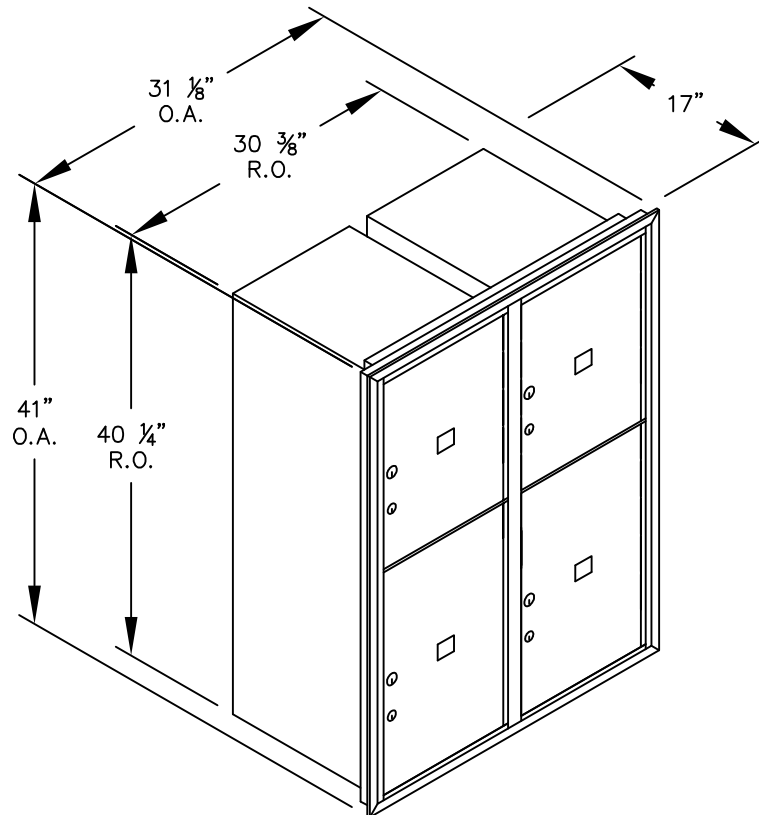
AVAILABLE FOR:
USPS ACCESS OR PRIVATE ACCESS

DRAWN: 3/2020

Established in 1936, Salsbury Industries is the industry leader in manufacturing and distributing quality mailboxes.

18300 CENTRAL AVENUE
CARSON, CA 90746-4008
PHONE: (800) 624-5269
FAX: (800) 624-5299

email: engineering@mailboxes.com



(1) 3711D-4P - REAR LOADING

(2) PL5 PARCEL LOCKERS (17 1/4\" H)

(2) PL6 PARCEL LOCKERS (20 3/4\" H)

MODEL #3711D-4P

4C HORIZONTAL MAILBOXES-REAR LOADING

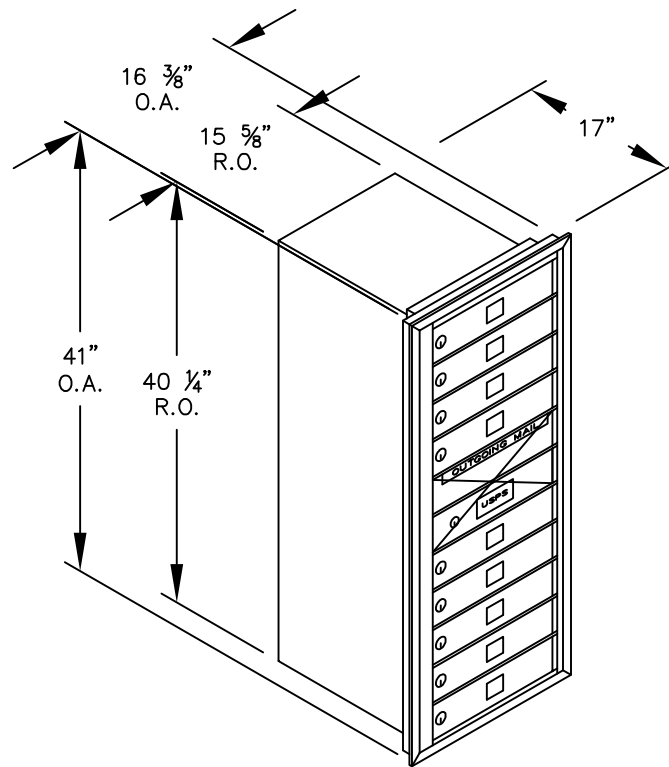
AVAILABLE COLORS:
ALUMINUM, BRONZE, SANDSTONE OR BLACK

AVAILABLE FOR:
USPS ACCESS OR PRIVATE ACCESS

DRAWN: 3/2020

Established in 1936, Salsbury Industries is the industry leader in manufacturing and distributing quality mailboxes.

18300 CENTRAL AVENUE
CARSON, CA 90746-4008
PHONE: (800) 624-5269
FAX: (800) 624-5299
email: engineering@mailboxes.com



- (1) 3711S-09 – REAR LOADING
- (9) 'MB1' DOORS
- (1) 'OM2' OUTGOING MAIL COMPARTMENT

MODEL #3711S-09

4C HORIZONTAL MAILBOXES-REAR LOADING

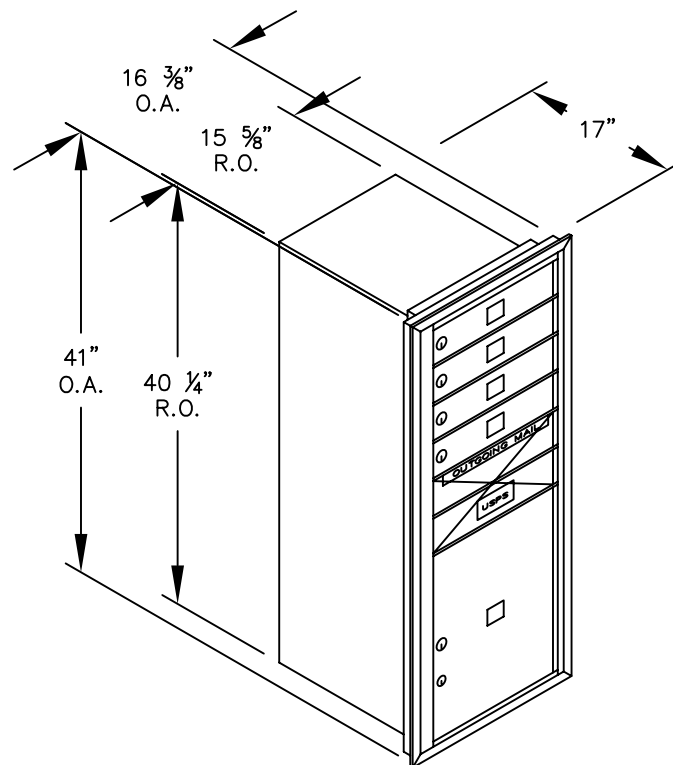
AVAILABLE COLORS:
ALUMINUM, BRONZE, SANDSTONE OR BLACK

AVAILABLE FOR:
USPS ACCESS OR PRIVATE ACCESS

DRAWN: 3/2020

Established in 1936, Salsbury Industries is the industry leader in manufacturing and distributing quality mailboxes.

18300 CENTRAL AVENUE
CARSON, CA 90746-4008
PHONE: (800) 624-5269
FAX: (800) 624-5299
email: engineering@mailboxes.com



- (1) 3711S-04 – REAR LOADING
- (4) 'MB1' DOORS
- (1) 'OM2' OUTGOING MAIL COMPARTMENT
- (1) PL5 PARCEL LOCKER (17 1/4" H)

MODEL #3711S-04

4C HORIZONTAL MAILBOXES-REAR LOADING

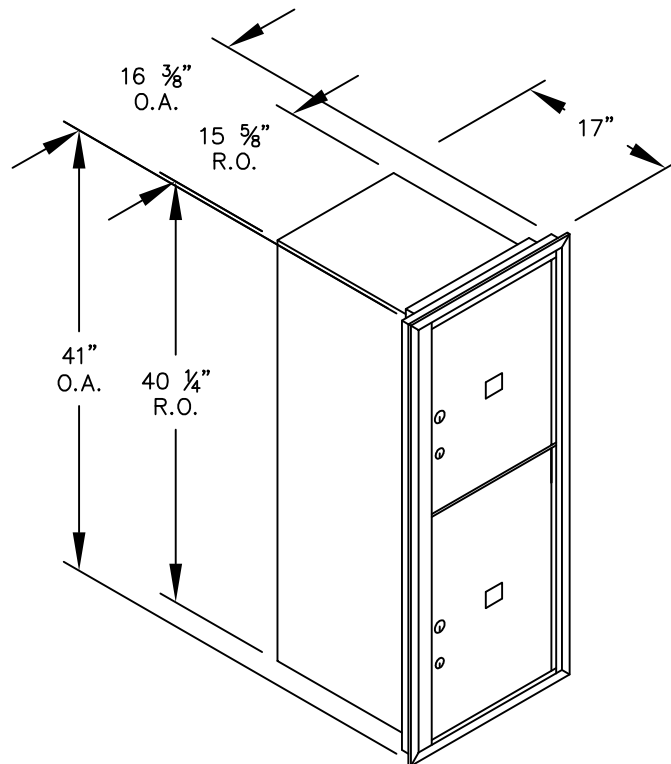
AVAILABLE COLORS:
ALUMINUM, BRONZE, SANDSTONE OR BLACK

AVAILABLE FOR:
USPS ACCESS OR PRIVATE ACCESS

DRAWN: 3/2020

Established in 1936, Salsbury Industries is the industry leader in manufacturing and distributing quality mailboxes.

18300 CENTRAL AVENUE
CARSON, CA 90746-4008
PHONE: (800) 624-5269
FAX: (800) 624-5299
email: engineering@mailboxes.com



(1) 3711S-2P - REAR LOADING

(1) PL5 PARCEL LOCKER (17 1/4" H)

(1) PL6 PARCEL LOCKER (20 3/4" H)

MODEL #3711S-2P

4C HORIZONTAL MAILBOXES-REAR LOADING

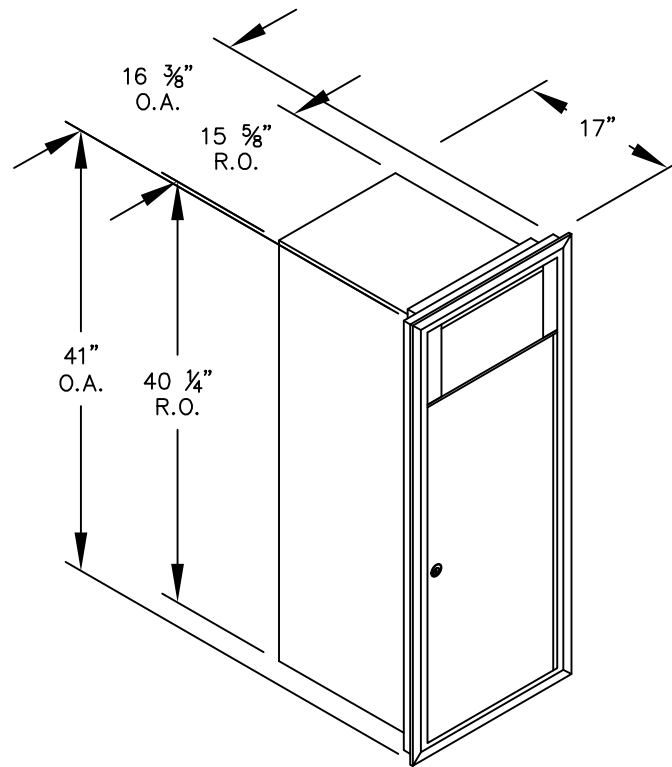
AVAILABLE COLORS:
ALUMINUM, BRONZE, SANDSTONE OR BLACK

AVAILABLE FOR:
USPS ACCESS OR PRIVATE ACCESS

DRAWN: 3/2020

Established in 1936, Salsbury Industries is the industry leader in manufacturing and distributing quality mailboxes.

18300 CENTRAL AVENUE
CARSON, CA 90746-4008
PHONE: (800) 624-5269
FAX: (800) 624-5299
email: engineering@mailboxes.com



(1) 3711S-1B - REAR LOADING

MODEL #3711S-1B

4C HORIZONTAL RECEPTACLE BIN -
REAR LOADING

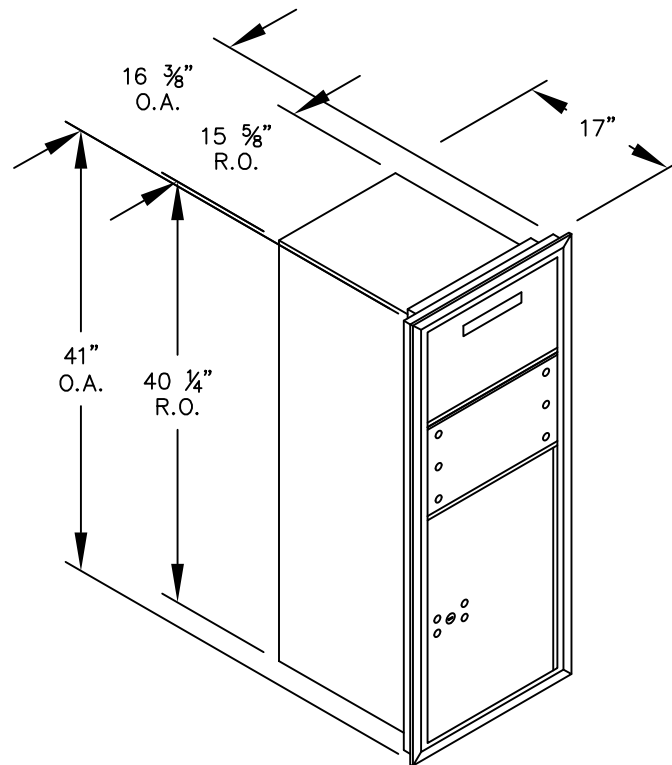
AVAILABLE COLORS:
ALUMINUM, BRONZE, SANDSTONE OR BLACK

AVAILABLE FOR:
PRIVATE ACCESS

DRAWN: 3/2020

***Established in 1936, Salsbury Industries is the industry
leader in manufacturing and distributing quality mailboxes.***

18300 CENTRAL AVENUE
CARSON, CA 90746-4008
PHONE: (800) 624-5269
FAX: (800) 624-5299
email: engineering@mailboxes.com



(1) 3711S-1C – REAR LOADING

MODEL #3711S-1C

4C HORIZONTAL COLLECTION BOX-
REAR LOADING

AVAILABLE COLORS:
ALUMINUM, BRONZE, SANDSTONE OR BLACK

AVAILABLE FOR:
PRIVATE ACCESS

DRAWN: 3/2020

***Established in 1936, Salsbury Industries is the industry
leader in manufacturing and distributing quality mailboxes.***

18300 CENTRAL AVENUE
CARSON, CA 90746-4008
PHONE: (800) 624-5269
FAX: (800) 624-5299
email: engineering@mailboxes.com