

MODEL #3706D-10

4C HORIZONTAL MAILBOXES-FRONT LOADING

AVAILABLE COLORS:
ALUMINUM, BRONZE, SANDSTONE OR BLACK

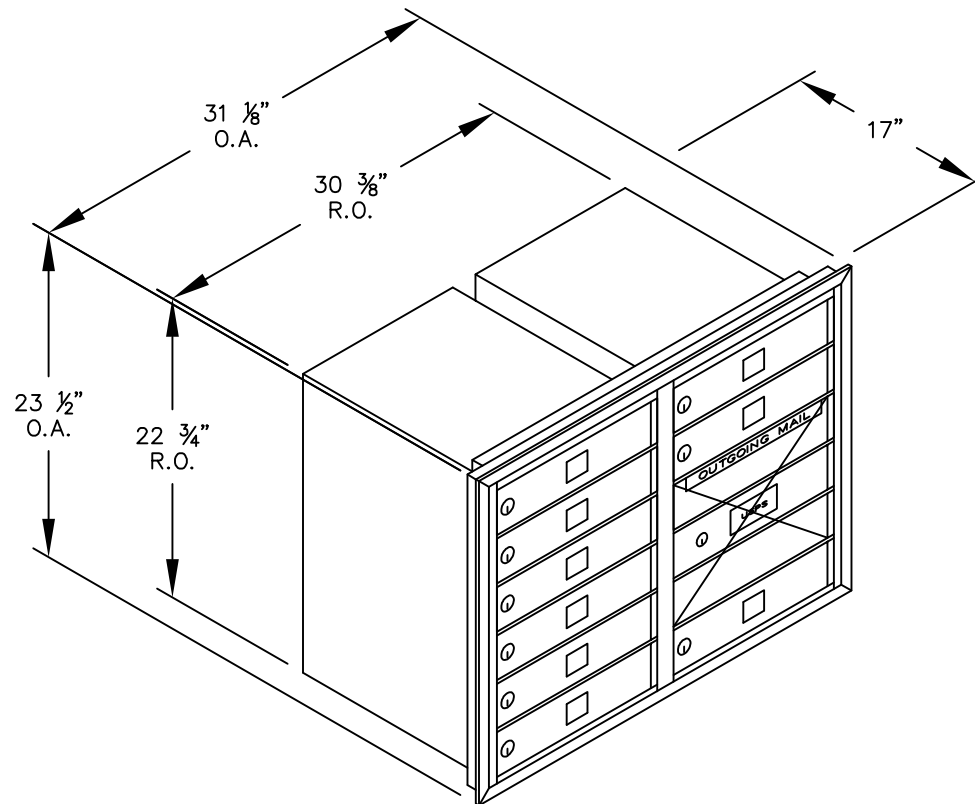
AVAILABLE FOR:
USPS ACCESS OR PRIVATE ACCESS

DRAWN: 3/2020

Established in 1936, Salsbury Industries is the industry leader in manufacturing and distributing quality mailboxes.

18300 CENTRAL AVENUE
CARSON, CA 90746-4008
PHONE: (800) 624-5269
FAX: (800) 624-5299

email: engineering@mailboxes.com



- (1) 3706D-09 – FRONT LOADING
- (9) 'MB1' DOORS
- (1) 'OM3' OUTGOING MAIL COMPARTMENT

MODEL #3706D-09

4C HORIZONTAL MAILBOXES—FRONT LOADING

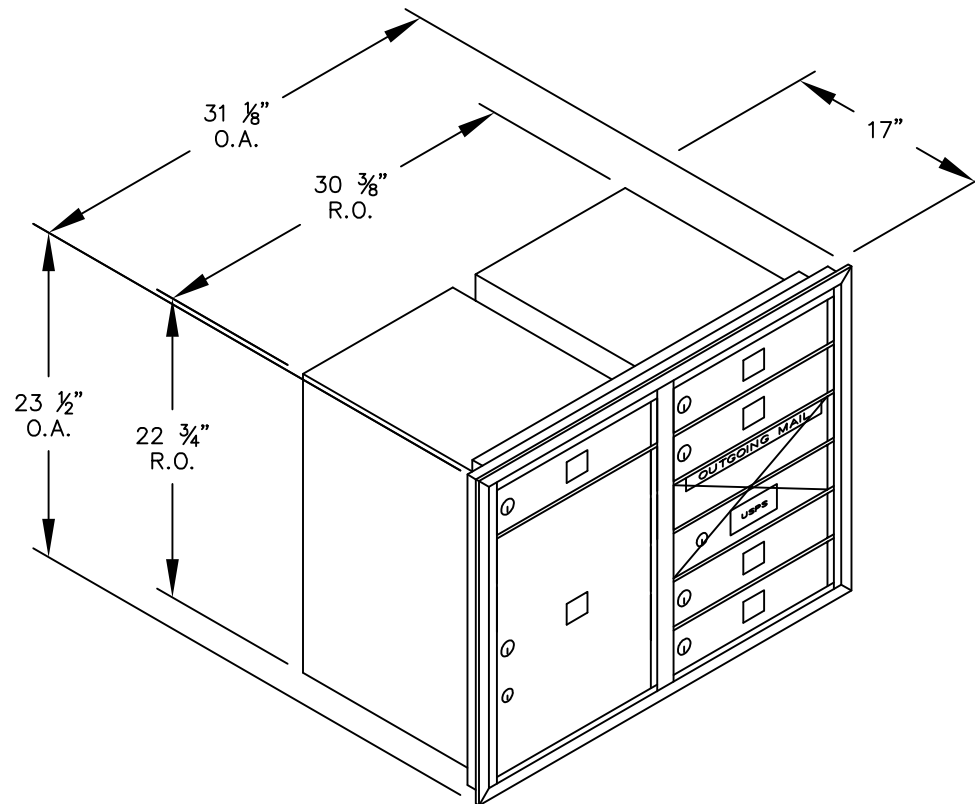
AVAILABLE COLORS:
ALUMINUM, BRONZE, SANDSTONE OR BLACK

AVAILABLE FOR:
USPS ACCESS OR PRIVATE ACCESS

DRAWN: 3/2020

Established in 1936, Salsbury Industries is the industry leader in manufacturing and distributing quality mailboxes.

18300 CENTRAL AVENUE
 CARSON, CA 90746-4008
 PHONE: (800) 624-5269
 FAX: (800) 624-5299
 email: engineering@mailboxes.com



- (1) 3706D-05 - FRONT LOADING
- (5) 'MB1' DOORS
- (1) 'OM2' OUTGOING MAIL COMPARTMENT
- (1) PL5 PARCEL LOCKER (17 $\frac{1}{4}$ " H)

MODEL #3706D-05

4C HORIZONTAL MAILBOXES-FRONT LOADING

AVAILABLE COLORS:
ALUMINUM, BRONZE, SANDSTONE OR BLACK

AVAILABLE FOR:
USPS ACCESS OR PRIVATE ACCESS

DRAWN: 3/2020

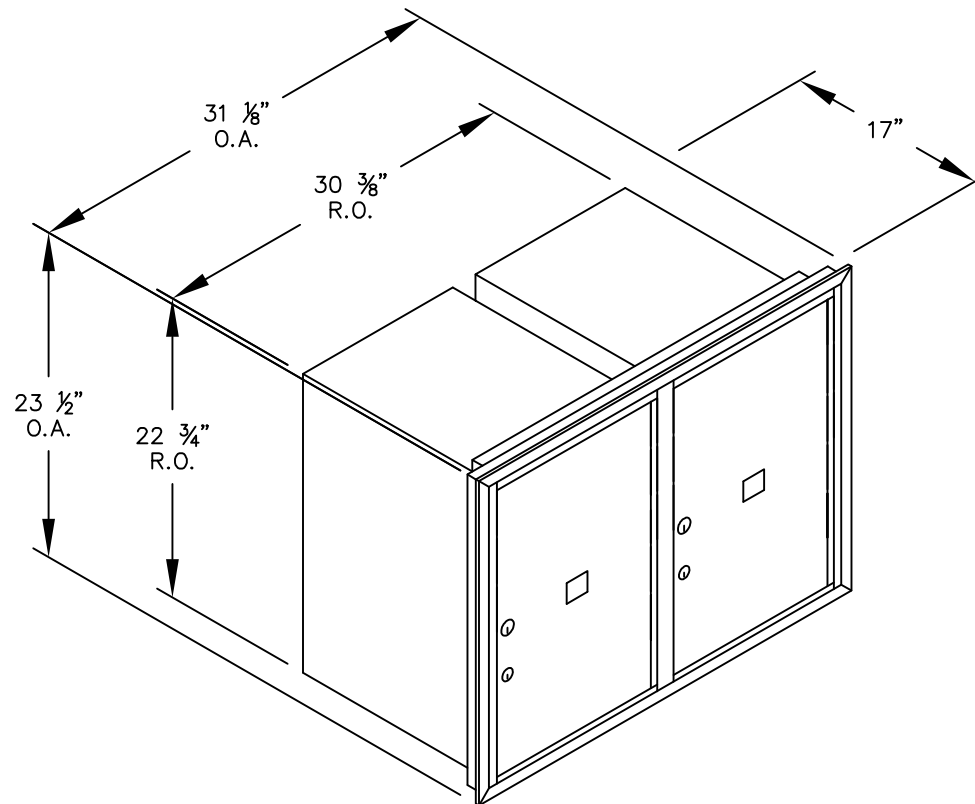
Established in 1936, Salsbury Industries is the industry leader in manufacturing and distributing quality mailboxes.

18300 CENTRAL AVENUE
CARSON, CA 90746-4008

PHONE: (800) 624-5269

FAX: (800) 624-5299

email: engineering@mailboxes.com



- (1) 3706D-2P - FRONT LOADING
- (2) PL6 PARCEL LOCKERS (20 $\frac{3}{4}$ " H)

MODEL #3706D-2P

4C HORIZONTAL MAILBOXES-FRONT LOADING

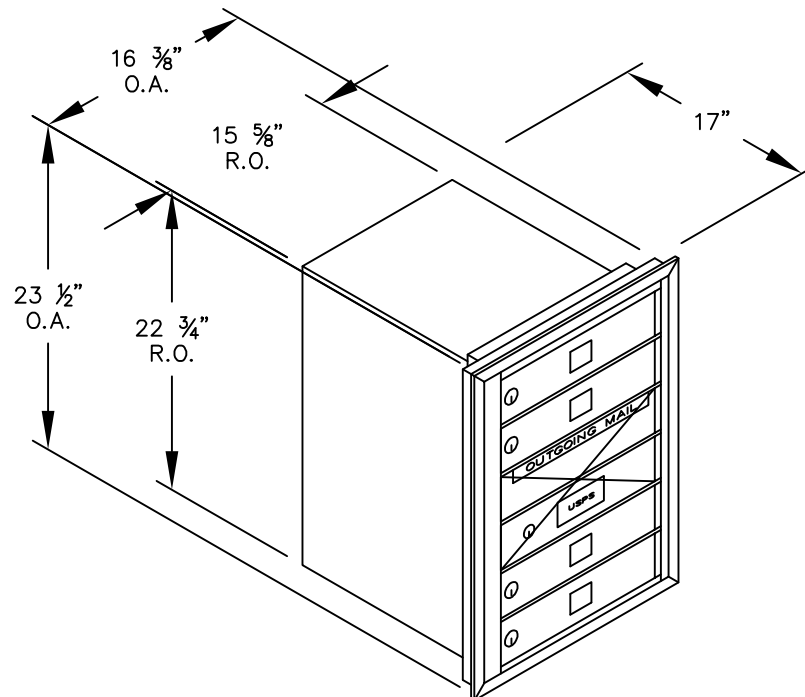
AVAILABLE COLORS:
ALUMINUM, BRONZE, SANDSTONE OR BLACK

AVAILABLE FOR:
USPS ACCESS OR PRIVATE ACCESS

DRAWN: 3/2020

Established in 1936, Salsbury Industries is the industry leader in manufacturing and distributing quality mailboxes.

18300 CENTRAL AVENUE
CARSON, CA 90746-4008
PHONE: (800) 624-5269
FAX: (800) 624-5299
email: engineering@mailboxes.com



(1) 3706S-04 – FRONT LOADING

(4) 'MB1' DOORS

(1) 'OM2' OUTGOING MAIL COMPARTMENT

MODEL #3706S-04

4C HORIZONTAL MAILBOXES—FRONT LOADING

AVAILABLE COLORS:
ALUMINUM, BRONZE, SANDSTONE OR BLACK

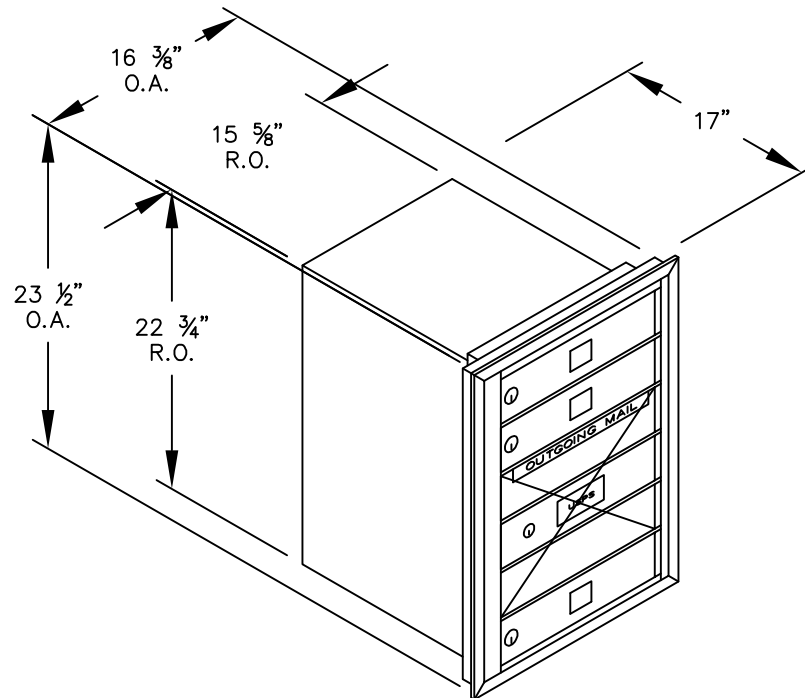
AVAILABLE FOR:
USPS ACCESS OR PRIVATE ACCESS

DRAWN: 3/2020

Established in 1936, Salsbury Industries is the industry leader in manufacturing and distributing quality mailboxes.

18300 CENTRAL AVENUE
CARSON, CA 90746-4008
PHONE: (800) 624-5269
FAX: (800) 624-5299

email: engineering@mailboxes.com



(1) 3706S-03 – FRONT LOADING

(3) 'MB1' DOORS

(1) 'OM3' OUTGOING MAIL COMPARTMENT

MODEL #3706S-03

4C HORIZONTAL MAILBOXES—FRONT LOADING

AVAILABLE COLORS:
ALUMINUM, BRONZE, SANDSTONE OR BLACK

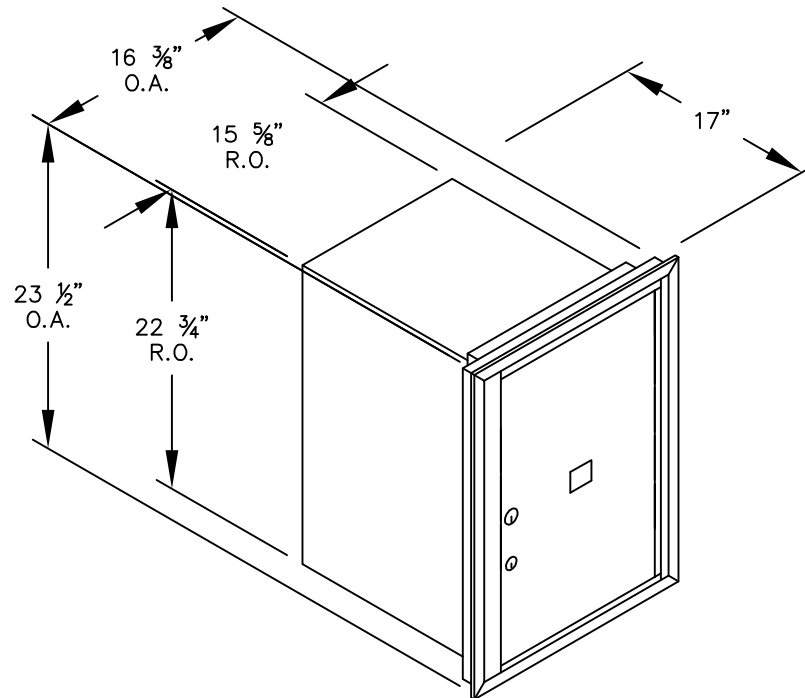
AVAILABLE FOR:
USPS ACCESS OR PRIVATE ACCESS

DRAWN: 3/2020

Established in 1936, Salsbury Industries is the industry leader in manufacturing and distributing quality mailboxes.

18300 CENTRAL AVENUE
CARSON, CA 90746-4008
PHONE: (800) 624-5269
FAX: (800) 624-5299

email: engineering@mailboxes.com



(1) 3706S-1P – FRONT LOADING

(1) PL6 PARCEL LOCKER (20 3/4" H)

MODEL #3706S-1P

4C HORIZONTAL MAILBOXES-FRONT LOADING

AVAILABLE COLORS:
ALUMINUM, BRONZE, SANDSTONE OR BLACK

AVAILABLE FOR:
USPS ACCESS OR PRIVATE ACCESS

DRAWN: 3/2020

Established in 1936, Salsbury Industries is the industry leader in manufacturing and distributing quality mailboxes.

18300 CENTRAL AVENUE
CARSON, CA 90746-4008
PHONE: (800) 624-5269
FAX: (800) 624-5299
email: engineering@mailboxes.com