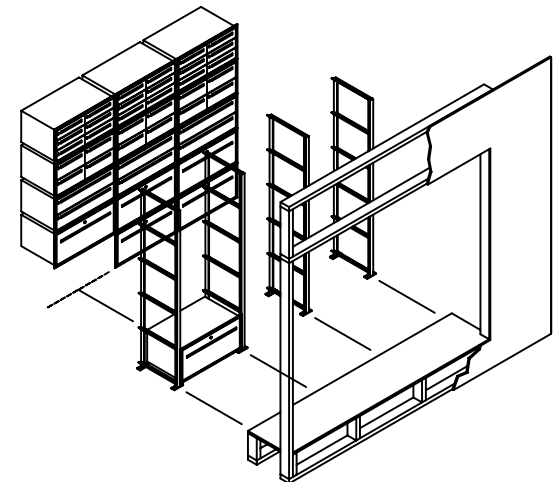


2406-REAR LOAD
(6) #1 DOORS

TYPICAL INSTALLATION:
(See Installation Instructions for more detail)

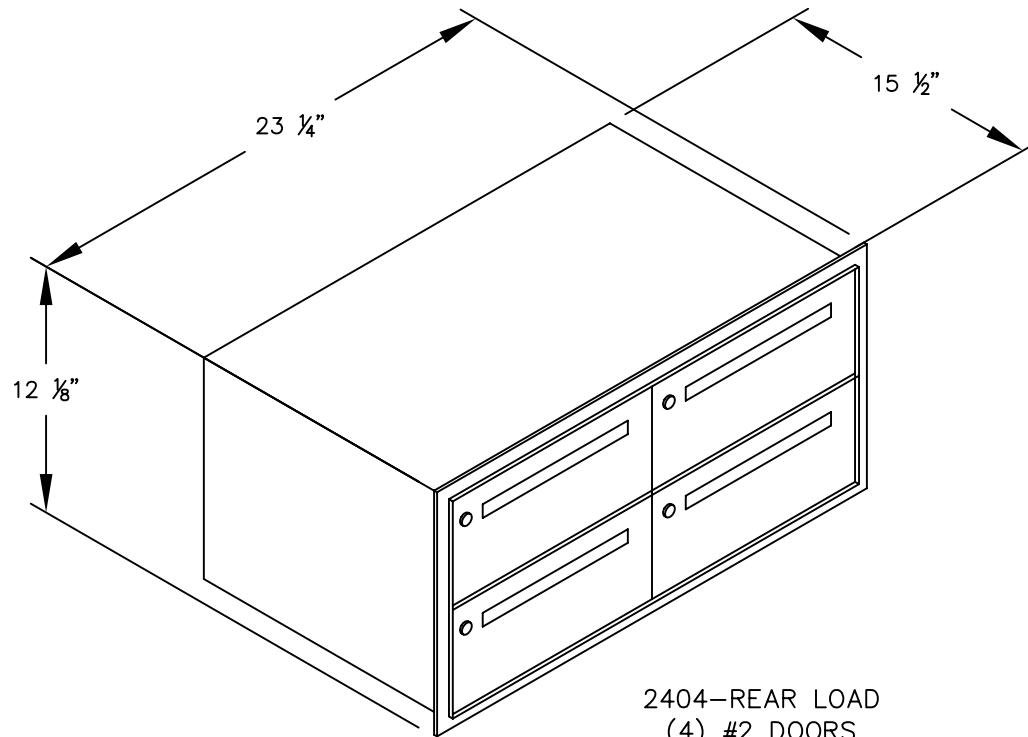


MODEL #2406
DATA DISTRIBUTION
RACK LADDER SYSTEM

DRAWN: 3/2020

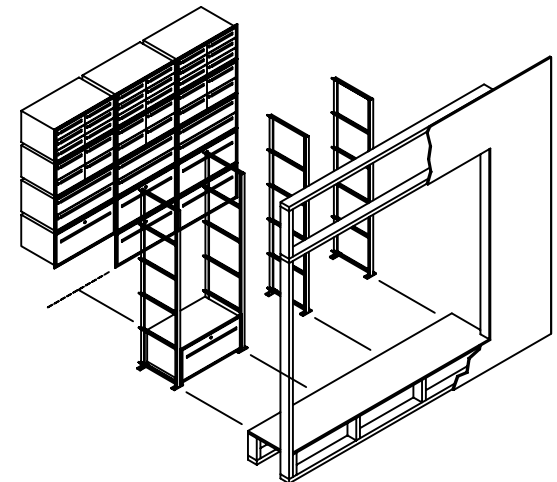
Established in 1936, Salsbury Industries is the industry leader in manufacturing and distributing quality mailboxes.

18300 CENTRAL AVENUE
CARSON, CA 90746-4008
PHONE: (800) 624-5269
FAX: (800) 624-5299
email: engineering@mailboxes.com



2404-REAR LOAD
(4) #2 DOORS

TYPICAL INSTALLATION:
(See Installation Instructions for more detail)

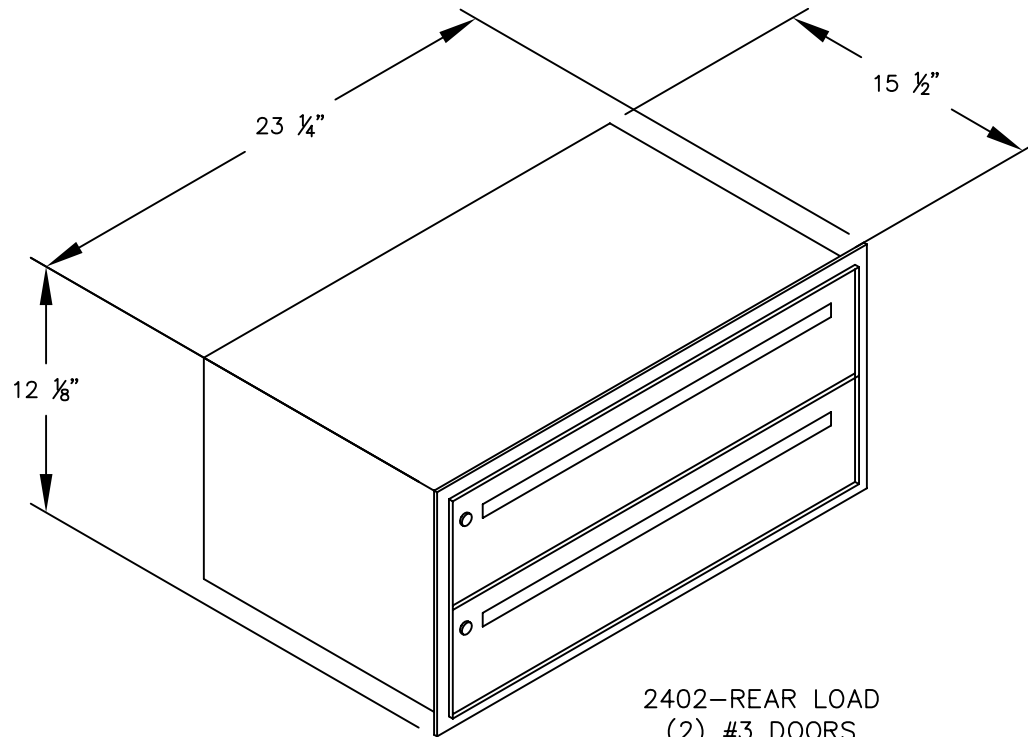


MODEL #2404
DATA DISTRIBUTION
RACK LADDER SYSTEM

Established in 1936, Salsbury Industries is the industry leader in manufacturing and distributing quality mailboxes.

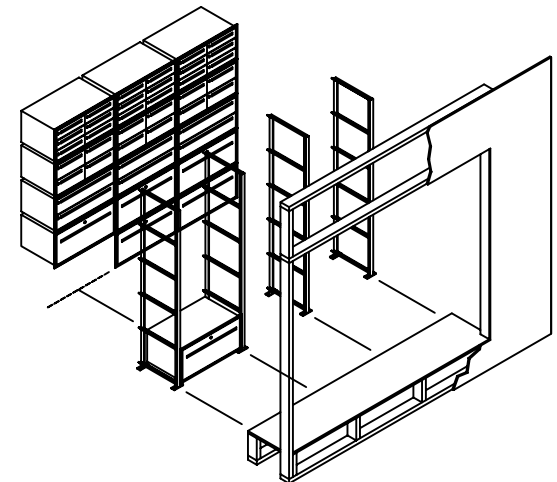
DRAWN: 3/2020

18300 CENTRAL AVENUE
CARSON, CA 90746-4008
PHONE: (800) 624-5269
FAX: (800) 624-5299
email: engineering@mailboxes.com



2402-REAR LOAD
(2) #3 DOORS

TYPICAL INSTALLATION:
(See Installation Instructions for more detail)

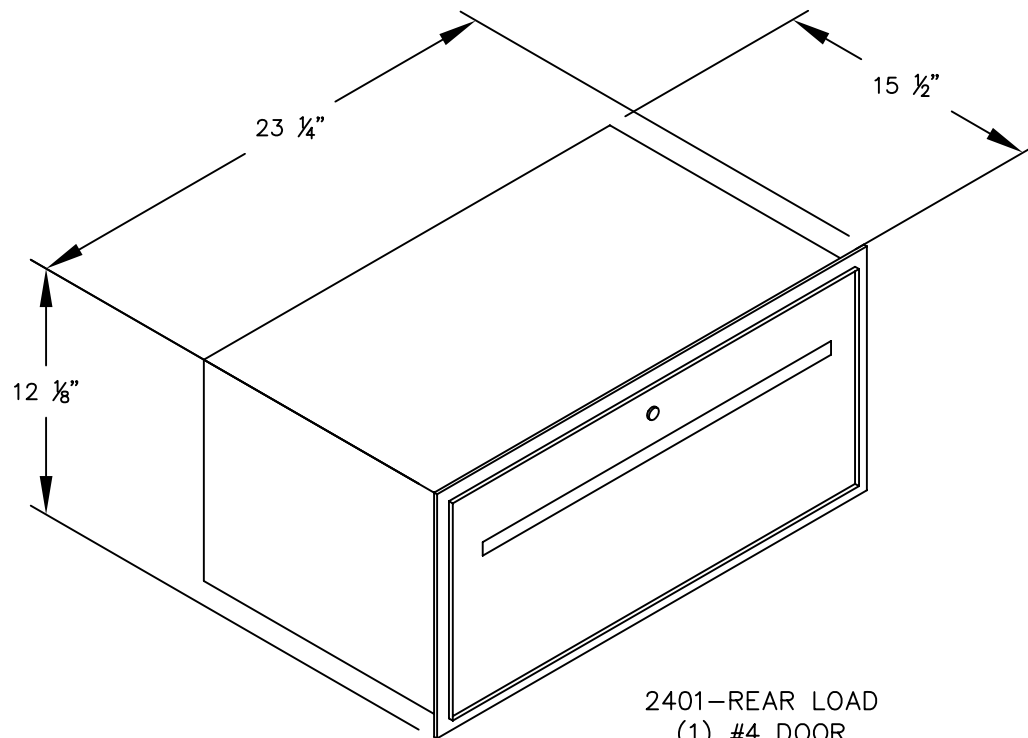


MODEL #2402
DATA DISTRIBUTION
RACK LADDER SYSTEM

DRAWN: 3/2020

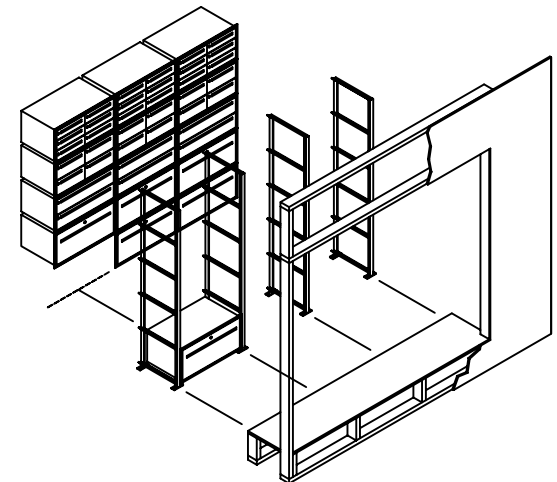
Established in 1936, Salsbury Industries is the industry leader in manufacturing and distributing quality mailboxes.

18300 CENTRAL AVENUE
CARSON, CA 90746-4008
PHONE: (800) 624-5269
FAX: (800) 624-5299
email: engineering@mailboxes.com



2401—REAR LOAD
(1) #4 DOOR

TYPICAL INSTALLATION:
(See Installation Instructions for more detail)



MODEL #2401
DATA DISTRIBUTION
RACK LADDER SYSTEM

Established in 1936, Salsbury Industries is the industry leader in manufacturing and distributing quality mailboxes.

18300 CENTRAL AVENUE
CARSON, CA 90746-4008
PHONE: (800) 624-5269
FAX: (800) 624-5299
email: engineering@mailboxes.com

DRAWN: 3/2020