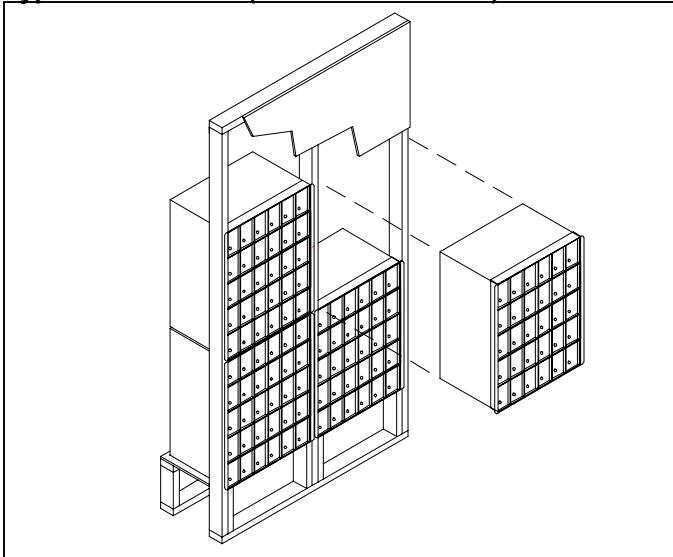


Aluminum Mailboxes - 2200 Series

Standard System Installation Instructions

Thank you for selecting Salsbury's standard system aluminum mailbox units. We are confident that the quality and construction of the mailboxes will prove to be a good investment. The units are fully assembled and ready to be installed. All standard system units have the same outside dimensions regardless of individual door size. They are designed to be stacked two (2) high and mount adjacent to each other or between wall studs. These instructions are intended to assist you in a typical wall installation, and it should be understood that they can be modified depending upon your choice in fasteners and materials. It is also recommended to have the units present before starting the wall construction to obtain the best possible installation.

Typical Installation (Model 2230 Shown)



Notes

1. Wall opening and lumber frame must be square.
2. Mailboxes should be shielded from direct weather conditions.
3. Store keys in a safe place until ready for use.
4. Hardware is not included to fasten unit into rough opening.

Aluminum Mailbox Instructions

1. The mailboxes are to be recessed in a typical wall that is framed with 2" x 4" wall studs. Allowing approximately 24" for the width of each mailbox column and any amount of desired space on each side of the installation, frame out the perimeter of the wall and secure to the floor. A platform 10"H x 16"D should be constructed for the base of the installation and joined with the wall frame. Allowing at least a 60"H opening from the platform, position studs 24" on center leaving a 22-1/2"W opening for each column of mailboxes to be installed.

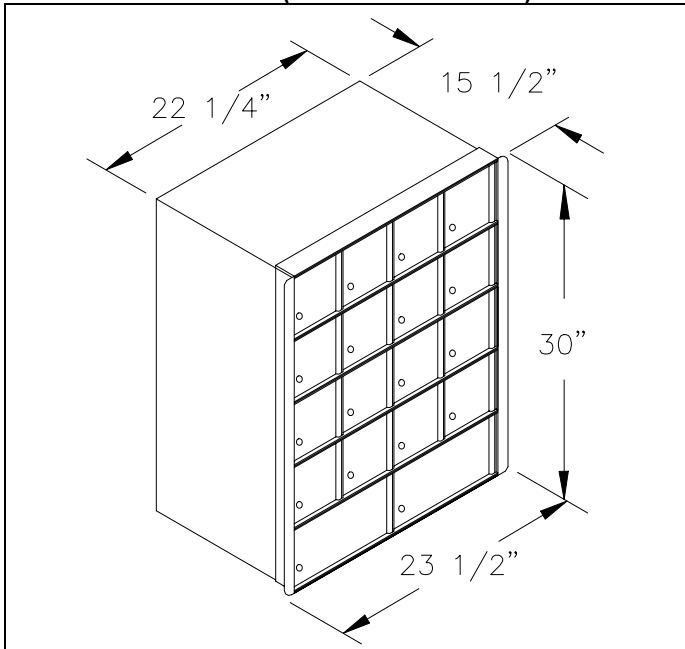
(Note, when space is limited, you can eliminate the studs and attach the modules to each other.) Add additional studs where needed for drywall support. Finish the wall and center studs with drywall so all front view surfaces are on the same plane.

2. The units will be secured to the studs positioned 24" on center. Place the first unit on the platform and secure it to the studs through the flanges using 2" wood screws. Place the second unit on top of the first and secure the same way. If securing the modules to each other (without studs), overlap the flanges and secure with sheet metal screws.

3. If necessary, fasten the lower unit to the platform by drilling two holes through the bottom of the back of the unit and secure with 2" wood screws. Likewise, fasten the top module to the bottom module using sheet metal screws. This is recommended if not securing to wall studs.

4. The installation of the trim at the front of the modules, which is optional, is the last step in the installation process. There is enough trim in each kit for three (3) mailbox columns. Fasten the clips to the wall using 1" wood screws around the perimeter of the boxes and between the columns. The trim should overlap the seam of the module and drywall. After measuring the length of the seam to be covered, cut the trim to size, mitering the corners at a 45° angle and clip on.

Standard Dimensions (Model 2218 Shown)



SALSBURY INDUSTRIES

1010 East 62nd Street, Los Angeles, CA 90001-1598
Phone: 1-800-624-5269 Int'l Phone: 323-846-6700
Fax: 1-800-624-5299 Int'l Fax: 323-846-6800
www.mailboxes.com engineering@mailboxes.com