

Victorian Mailboxes – 4460

Surface Mounted Installation Instructions

Made of cast aluminum with a durable powder coat finish and a brass mail flap, 4460 Victorian surface mounted mailboxes will provide years of maintenance free service.

Mounting the Victorian Mailbox to a Flat Wall

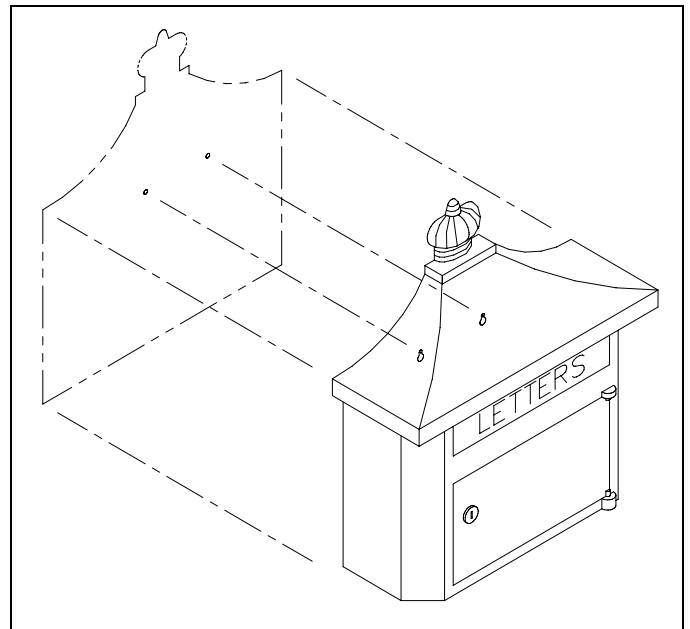
1. The installation fasteners are not provided due to the variation in wall types to which the mailbox might be mounted. Select fasteners and anchors appropriate for the type of wall.
2. Mounting access is provided by opening the mail flap and mail access door.
3. Where possible, it is best to shield the mailbox from direct weather conditions.
4. Contact your local U.S.P.S. office for the required height of the mailbox on the wall.
5. For convenience, the mounting holes are key-holes. See illustration.
6. Holding the mailbox aligned horizontally in the mounting position, mark on the wall the position of the two mounting holes in the back wall of the mailbox, behind the "LETTERS" flap.
7. Install the two fasteners, but do not tighten them. Hang the mailbox loosely on the fasteners, and securely tighten them.

Cleaning

Interior & Painted Exterior – Using a soft cloth or sponge, clean the interior and painted exterior of the mailbox with liquid soap, detergent or diluted water-soluble household cleaners. Completely remove residue of any cleaning products with water and thoroughly dry with a clean cloth or paper towel.

Brass Mail Flap – The mail flap may be cleaned as indicated above. **DO NOT** use abrasive materials on polished brass surfaces.

4460 Victorian Mailbox



SALSBUURY INDUSTRIES

1010 East 62nd Street, Los Angeles, CA 90001-1598
Phone: 1-800-624-5269 Int'l Phone: 323-846-6700
Fax: 1-800-624-5299 Int'l Fax: 323-846-6800
www.mailboxes.com engineering@mailboxes.com