

Parcel Drop – 4955

Installation Instructions

With a rugged all aluminum construction, Salsbury's 4955 parcel drop will provide years of maintenance free service.

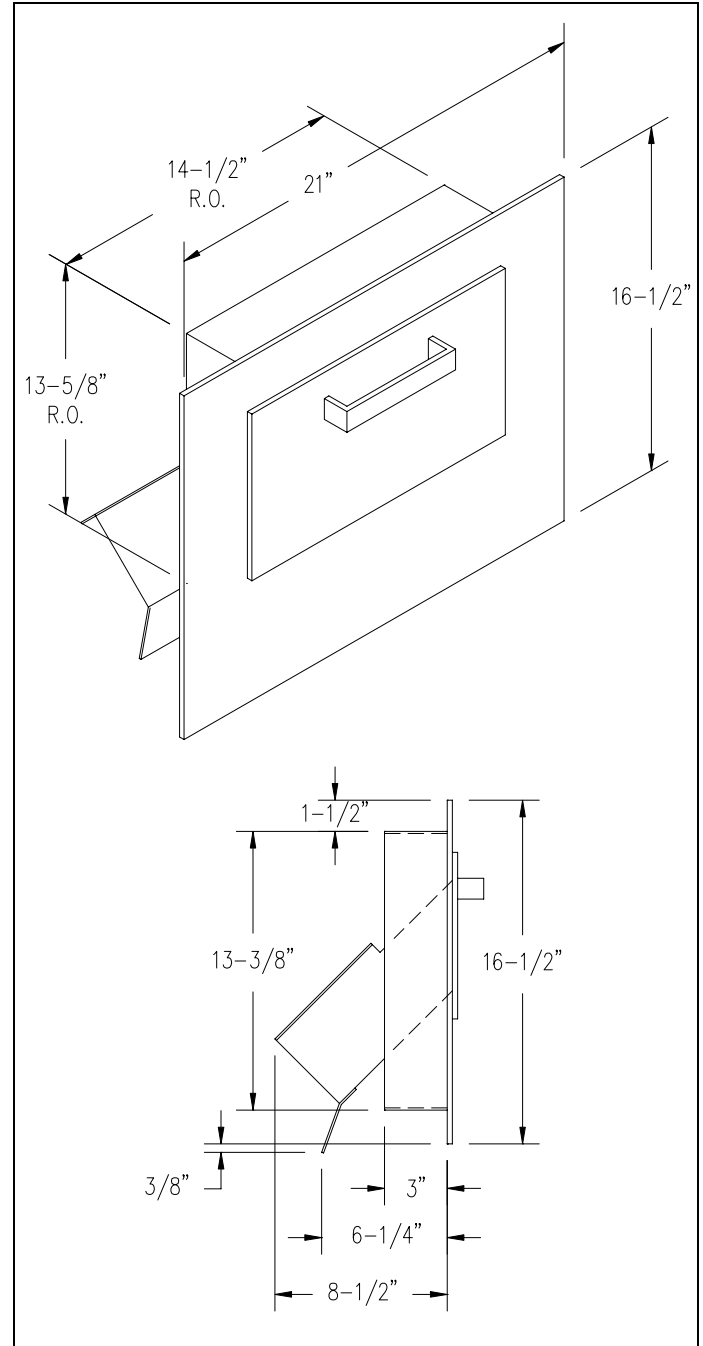
Notes

1. Wall opening and lumber frame must be square.
2. Parcel drops should be shielded from direct weather conditions.
3. Hardware is not included to install units into rough opening.
4. Customer to supply parcel receiving receptacle for parcel drop.

Installation Instructions

1. It is recommended that the parcel drop be unpacked and reviewed before construction of the rough opening and support framing. The parcel drop is shipped fully assembled.
2. Using standard construction framing methods, frame wall according to the rough opening dimensions provided. The unit is designed to fit between studs on 16" centers.
3. Place unit in rough opening and securely fasten to the support framing with screws through the holes provided.

Caution: Do not deform, force, or twist the frame to fit an incorrect rough opening or against an irregular surface, as this will affect the alignment of the assembly.



SALSBUURY INDUSTRIES

1010 East 62nd Street, Los Angeles, CA 90001-1598
 Phone: 1-800-624-5269 Int'l Phone: 323-846-6700
 Fax: 1-800-624-5299 Int'l Fax: 323-846-6800
 www.mailboxes.com engineering@mailboxes.com