

Mail Houses

MAIL HOUSES

Made of electro-galvanized 20 gauge steel, Salsbury 4700 series mail houses include a stainless steel mail flap. Mail houses can be surface mounted, mounted on bolt mounted mail house posts (#4765), in-ground mounted mail house posts (#4795) or a base of your choice. Each mail house features a durable powder coated finish available in four (4) contemporary colors. Mail houses are accessed from the front through a 13" W x 9" H locking door and include a lock with two (2) keys. A non-locking thumb latch (#4788) is available as an option upon request. Mail houses may be used for U.S.P.S. residential door mail delivery.

**Volume Discount Pricing
Available at Mailboxes.com!**



#4750 displayed

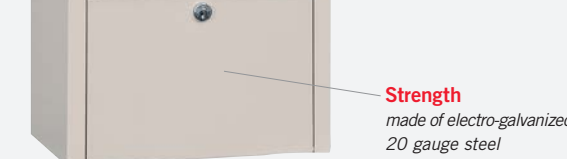
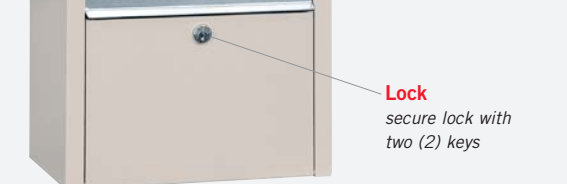
custom
Numbers / Letters see mailboxes.com

**Locking
Mailboxes**



#4750 on post (#4795) with optional custom numbers / letters (see mailboxes.com) displayed

STANDARD FEATURES





4750



DESCRIPTION

4750¹ - Mail House

UNIT SIZE

17" W x 15" H x 8" D

Mail slot size:

12" W x 1-1/4" H

WEIGHT

20 lbs.

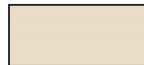
PRICE

\$120.00

¹ Specify



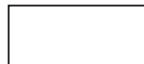
black



beige

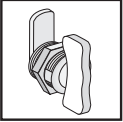



green



white

**Volume Discount Pricing
Available at Mailboxes.com!**

Thumb latch - optional (#4788 - \$20.00) 

Lock - standard replacement - with (2) keys (#4790 - \$20.00) 

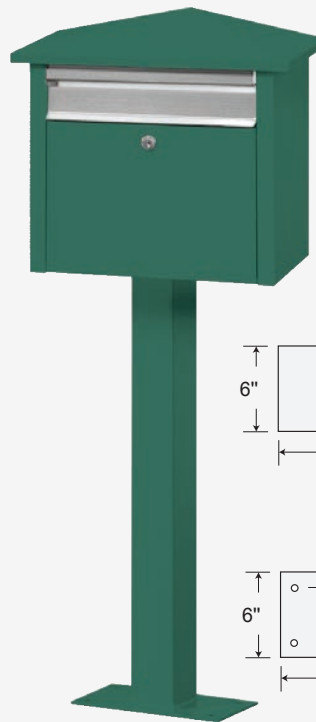
MAIL HOUSE POSTS



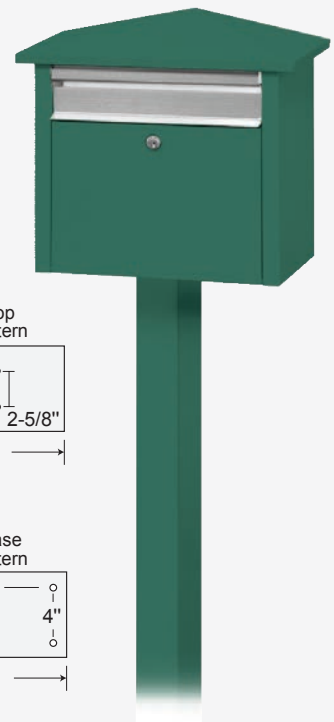
4765



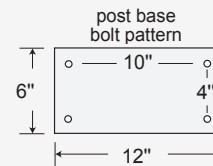
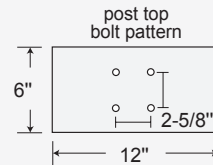
4795



4765



4795



DESCRIPTION

4765¹ - Post - Bolt mounted

UNIT SIZE

Post: 3-1/2" W x 42" H x 3-1/2" D
Top & base: 6" W x 12" D

WEIGHT

20 lbs.

PRICE

\$130.00

DESCRIPTION

4795¹ - Post - In-ground mounted

UNIT SIZE

Post: 3-1/2" W x 60" H x 3-1/2" D
Top: 6" W x 12" D

WEIGHT

25 lbs.

PRICE

\$140.00

¹ Specify



black



beige



green



white